

Product information sheet ALTA-S II

Item no. 527545

Benefits



- Top-lever mixer tap in slim aesthetic design
- High spout for easy filling of large pots and vases
- Pull-out spray hose with dual selectable jet patterns
- 140° swivel spout for more range
- Also available for low-pressure
- Available in Silgranit colours and metallic surfaces for beautiful combinations with the kitchen sink

Colours



Available colours:

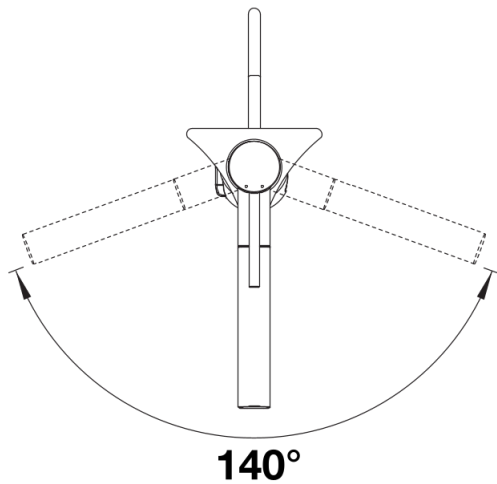
- black
- anthracite
- rock grey
- volcano grey
- white
- soft white
- tartufo
- coffee

SILGRANIT-Look black

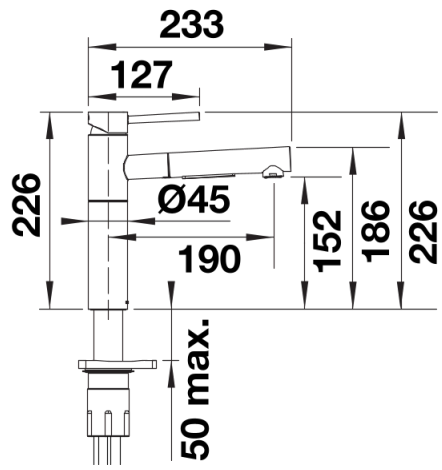
Scope of supply

- 140° swivel spout for greater reach
- Ø 35 mm tap hole required
- Easy and fast professional mixer tap installation with the BLANCOLock
- With ceramic disk cartridge
- Clear stream aerator
- Spray made of metal
- Nylon-sheathed spray hose
- Hose weight for reliable retraction
- Flexible connector pipes, 700 mm long and $\frac{3}{8}$ " nut
- Stabilisation plate to increase the stability of the tap when fitted in stainless steel sinks
- With non-return valve and thus guaranteed against reflux in accordance with EN 1717

Details



Swivel range



Side view