

160 Bottle Double Door Wine Cellar

MODEL AWCD160BV

 **ARTUSI**
THE ART OF LIVING



36 MONTH
WARRANTY



60CM



LED
LIGHTS



TOUCH
CONTROL



*2+3 Years with product
registration



CHILD
LOCK



10AMP POWER
CONNECTION



DIGITAL
DISPLAY



160
BOTTLES



PRODUCT INFORMATION

FINISH

- black 'smoky' glass
- black interior and body

FEATURES

- built-in or freestanding installation
- white LED display
- touch control display panel
- fitted with telescopic rails
- 2 x side light LED strips
- tri-colour cavity lighting: bright (white) / UV (blue) / amber (orange)
- R600a refrigerant
- compressor cooling system
- frost free
- touch control
- dual zone
- 11 wooden shelves (black)

CAPACITY

- 160 bottles (Bordeaux size wine bottles)
- 413L capacity

DOOR

- anti-UV LOW-E glass door
- door lock / child lock within the lower grill panel
- available as right hinge only
- side recessed 'finger pull' handle

TEMPERATURE

- 6°C–18°C temperature range
- default setting: 12°C
- temperature alarm
- temperature memory setting
- >65% humidity
- climate class: T



Capacity based on
Bordeaux Bottles

EAN 9347777006745

AR03092024

DISCLAIMER

Eurolinx & Worldwide appliances Pty Ltd, is continually seeking ways to improve the design specifications, aesthetics and production techniques of its products. As a result alterations to our products and designs take place continually. Whilst every effort is made to produce information and literature that is up to date, this brochure should not be regarded as an infallible guide to the current specifications, nor does it constitute an offer for the sale of any particular product. Product dimensions indicated in our literature is indicative only. Actual product only should be used to define dimension cut outs. Distributors, and retailers are not agents of Eurolinx or Worldwide appliances and are not authorised to bind Eurolinx or Worldwide appliances by any express or implied undertaking or representation.

Australia National Telephone Number 1300 694 583
For showroom opening times, visit our website

artusi.com.au

NSW & ACT (Head Office)
48-50 Moore Street
Leichhardt
F 02 8569 4699

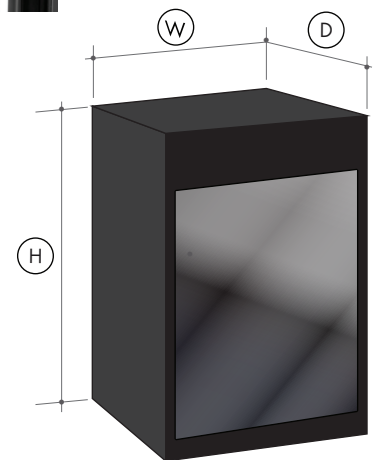
Victoria
2r/131 Church Street
Hawthorn

QLD
Contact Head Office

WA & NT
Contact Head Office

160 Bottle Double Door Wine Cellar

MODEL AWCD160BV



W 595mm
H 1764mm
D 692mm

Technical Information

Size(mm): 595mmW*692mmD*1764mmH

Weight(kg): TBC Climate class: T

Electrical Connection: 10AMP GPO

NB: drawings are not to scale — for detailed installation instructions, please refer to user guide.

EAN 9347777006745

AR03092024

DISCLAIMER

Eurolinx & Worldwide appliances Pty Ltd, is continually seeking ways to improve the design specifications, aesthetics and production techniques of its products. As a result alterations to our products and designs take place continually. Whilst every effort is made to produce information and literature that is up to date, this brochure should not be regarded as an infallible guide to the current specifications, nor does it constitute an offer for the sale of any particular product. Product dimensions indicated in our literature is indicative only. Actual product only should be used to define dimension cut outs. Distributors, and retailers are not agents of Eurolinx or Worldwide appliances and are not authorised to bind Eurolinx or Worldwide appliances by any express or implied undertaking or representation.

Australia National Telephone Number 1300 694 583
For showroom opening times, visit our website

artusi.com.au

NSW & ACT (Head Office)
48-50 Moore Street
Leichhardt
F 02 8569 4699

Victoria
2r/131 Church Street
Hawthorn

QLD
Contact Head Office

WA & NT
Contact Head Office