

Integrated Dishwasher, Sanitise

Series 5 | Integrated

Panel Ready

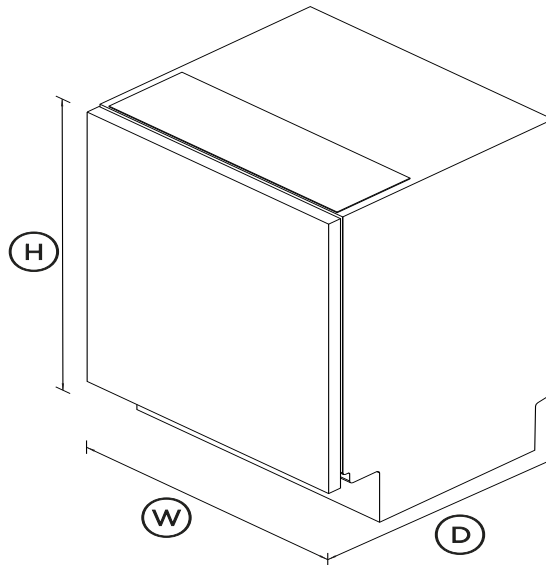


Designed to be integrated seamlessly into your cabinetry, this dishwasher delivers extra wash options and Auto Door Open Dry.

- Customise with your own front panel and handle to match your kitchen cabinetry
- Seven wash programs from Heavy to Light, including Auto and 60min
- Dry+, Sanitise and Half Load modifiers provide extra wash options
- Wi-Fi enabled and works with the SmarthQ™ app for remote control and notifications

DIMENSIONS

Height	820 - 880mm
Width	598mm
Depth	554mm



FEATURES & BENEFITS

SEAMLESS INTEGRATION

Customise your dishwasher with a panel and handle matching your cabinetry, for a seamless finish in your kitchen.

EFFORTLESS DRYING

For beautifully dry dishes, this dishwasher features automatic door opening at the end of the cycle to release excess steam.

A RELIABLE CLEAN

This dishwasher offers seven wash programs including Auto, which automatically senses the optimal wash settings for your dishes. The three-stage filtration system delivers a superior clean, while the rinse aid indicator reminds you to top up for beautifully clean dishes.

CUSTOMISE YOUR WASH

The Half Load modifier is perfect for washing a partial load, for faster turnaround of dishes. Sanitise provides extra protection, killing 99.9% of bacteria* in the final rinse, while the Dry+ modifier is great for plastic dishes. *Certified to NSF/ANSI Standard 184

EFFICIENT PERFORMANCE

With a 4 star energy rating and 5 star water rating, this dishwasher delivers a powerful wash. Use the Eco wash program for optimal water and energy consumption, or choose when the cycle begins with Delay Start.

FLEXIBLE LOADING

Designed to fit 15 place settings with ease, adjustable racks help you to load and care for various items – including a height-adjustable upper basket, and foldable cup holders and tines.

SPECIFICATIONS

Accessories

Black stainless steel door panel	ADDW60PB
Contemporary round handle	AHS-OBDD-60S
Contemporary square black	AHD3-OBDD-60B
Contemporary square fine	AHD5-OBDD-60SB
Contemporary square fine	AHD5-OBDD-60S
Contemporary square handle	AHD3-OBDD-60S
Cutlery basket	•
Kickstrip	Custom
Stainless steel door panel	ADDW60PX

Capacity and loading

Accommodates round plates	320mm
Accommodates round plates	250mm
Adjustable height, foldable	•
Easy lift adjustable upper	•
Fold down tines	•
Place settings	15

Consumption

Energy rating	4 star
Energy usage	246kWh/year
Water rating	5 star (WELS)
Water usage (per wash cycle)	12.2L

Controls

Child lock	•
Energy saving delay start	•
Intuitive capacitive touch	•
Rinse aid indicator light	•
Wi-Fi connectivity	•

Features

Air curtain for bench	•
Aquastop	•
Auto Door Open Dry	•
Flood protection	•
Fully independent spray arms	•
Internal tub material	Stainless Steel
Motor type	Asynchronous
ThermoDry system	•

Three-stage filtration system	•
-------------------------------	---

Performance

Noise emissions	46dBA
-----------------	--------------

Power requirements

Amperage	10A
Supply frequency	50Hz
Supply voltage	230V

Product dimensions

Depth	554mm
Height	820 - 880mm
Width	598mm

Warranty

Parts and labour	2 years
------------------	----------------

Wash Program Modifiers

Dry +	•
Half-load	•
Sanitise	•
Wash modifiers	3

Wash Programs

60 min	•
Auto	•
Eco	•
Heavy	•
Light	•

Medium	•
Rinse	•
Wash programs	7

Water connection

Water pressure	Min 150 kPa (22 psi) Max 827
Water supply	3/4 BSP Connector water inlet

SKU	82431
-----	-------

The product dimensions and specifications in this page apply to the specific product and model. Under our policy of continuous improvement, these dimensions and specifications may change at any time. You should therefore check with Fisher & Paykel's Customer Care Centre to ensure this page correctly describes the model currently available. ? Fisher & Paykel Appliances Ltd 2020

Other product downloads available at fisherpaykel.com



Service & Warranty



User Guide Dishwasher



Installation Guide



Door Template



A PEACE OF MIND SALE

24 Hours 7 Days a Week Customer Support

T 1300 650 590 **W**www.fisherpaykel.com