

**Series 6, built-in fridge, 177.5 x 56 cm,  
soft close flat hinge  
KIR81AD30A**



**Included accessories**

2 x egg tray

- **LED light:** illuminates the refrigerator evenly without glare.
- **EasyAccess Shelf:** pull-out glass shelf gives you better access to the ingredients inside your fridge.
- **VitaFresh:** vitamin rich fruit & vegetables stay fresh for longer in a climate controlled drawer.
- **MultiBox XXL:** extra-large drawer for your fruit and vegetables.

**Technical Data**

Built-in / Free-standing : Built-in  
Door panel options : Not possible  
Height : 1772 mm  
Width of the appliance : 558 mm  
Depth of the product : 545 mm  
Min. required niche size for installation (HxWxD) : 1775.0 x 560 x 550 mm  
Net weight : 62.7 kg  
Connection Rating : 90 W  
Fuse protection : 10 A  
Door hinge : Right reversible  
Voltage : 220-240 V  
Frequency : 50 Hz  
Length electrical supply cord : 230 cm  
Number of compressors : 1  
Number of independent cooling systems : 1  
Interior ventilator : Yes  
Reversible Door Hinge : Yes  
Number of Adjustable Shelves in fridge compartment : 6  
Shelves for Bottles : Yes  
EAN code : 4242005211029  
Brand : Bosch  
Product name / Commercial code : KIR81AD30A  
Product category : Refrigerator  
Energy efficiency rating : A++  
Annual energy consumption AU : 199 kWh  
Refrigerator Net capacity : 319 l  
Freezer Net capacity : 0 l  
Frost free system : No  
Freezing capacity) : 0 kg/24ç  
Noise level : 37 dB(A) re 1 pW  
Climate class : SN-T  
Installation typology : Fully-integrated  
Included accessories : 2 x egg tray



## Series 6, built-in fridge, 177.5 x 56 cm, soft close flat hinge KIR81AD30A

---

### Performance & Consumption

- 3 Star Energy Rating, 199 kWh energy consumption per year
- Net capacity: 319 litres
- Noise level: 37 dB(A)

### Design

- LED interior light lighting

### Convenience & Safety

- Electronic temperature control with independent controls for fridge and freezer
- Constant temperature by intelligent sensor technology
- Automatic defrost in fridge section
- SuperCooling Function - Automatically brings down the temperature of the refrigerator to cool new groceries rapidly
- Acoustic door open alarm

### Shelving & Compartments

- Fridge Total Net Capacity: 319 l
- with carbon filter
- 7 safety glass shelves (6 height adjustable), of which Bottom shelf, 2 glass plates extendible
- Bottle storage: Metal wine rack
- 6 door bins, 1x dairy compartment

### Finish

- HydroFresh Drawer on telescopic rails  
Vegetable container

### Dimensions

- Dimensions ( H x W x D): 1772 mm x 558 mm x 545 mm
- Cut-out Dimension (H x W x D): 1775 mm x 560 mm x 550 mm

### Technical Information

- Reversible door hinge
- Voltage 220 - 240 V

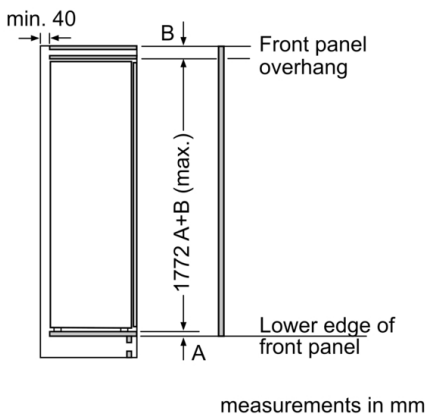
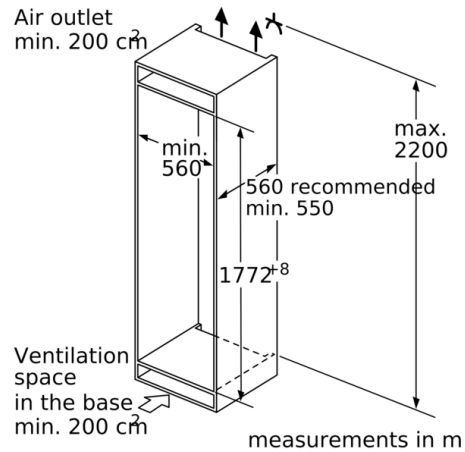
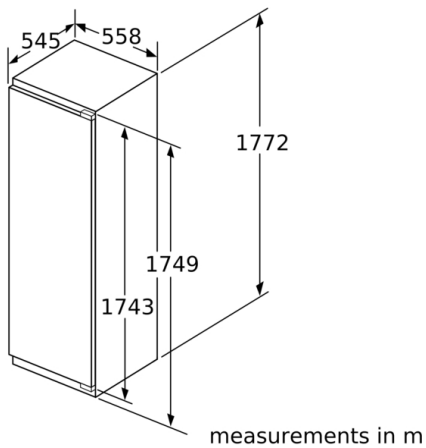
### Accessories

- egg tray
- bottle holder

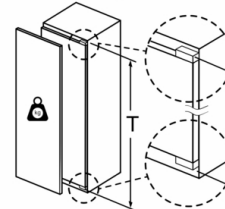
### Comfort

- Multi-airflow system - Minimises fluctuating temperatures by ensuring optimal and uniform air circulation in the fridge
- Gross Capacity: 321 litres
- Fridge gross capacity: 321 litres

**Series 6, built-in fridge, 177.5 x 56 cm, soft close flat hinge KIR81AD30A**



Maximal permissible weight of the unit fronts



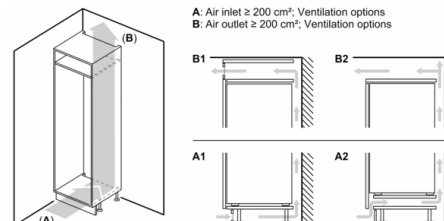
Fitted kitchen unit doors that exceed the permissible weight may cause damage and result in functional impairment of the hinges.

Hinges in mm:	undamped hinge, Door in kg:	damped hinge, Door in kg:
1500-1750	22	22

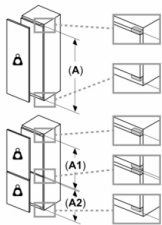
measurements in mm  
Recommended gap dimensions for flat hinges

F	R	X
16-19	0-3	2.5
20	0-1	3
21	2-3	2.5
	0-1	3
22	2-3	2.5
	0	4
	1	3.5
	2-3	3

The gap dimensions recommended in the table must be adhered to in order to ensure that appliance doors do not collide with anything when they are opened, and to avoid causing damage to kitchen units.



## Series 6, built-in fridge, 177.5 x 56 cm, soft close flat hinge KIR81AD30A



### Maximal permissible weight of the unit fronts

Fitted unit fronts that exceed the permissible weight may cause damage and result in functional impairment of the hinges

**Δ** Weight

**A:** Appliance door height including hinges in mm

**B:** Undamped hinge, unit front in kg

**C:** Damped hinge, unit front in kg

**D:** Additional possible load in kg with heavy load kit

A	B	C	D
1500-1750	22	22	
720-1400	19	19	B+5 / C+5
<b>A1</b>	15	19	
<b>A2</b>	15	19	