

34 Bottle Freestanding Wine Cabinet

Single Zone

SERIES

Contemporary

AESTHETICS

Black Powder Coated Finish

UV Double Glazed Door

FUNCTIONALITY

Dual Temperature Sensor

Inverter Compressor

Digital Control Panel

Tropical Rated

Ambient Temp. up to 43°C

Internal LED Lighting

Anti-vibration

Reversible Door

TEMPERATURE RANGE

Single Zone 4°C to 22°C

STORAGE CAPACITY

Bottle Capacity 34 Bottles

Total Capacity 98L

ACCESSORIES

4 × Timber Shelves (Beech)

1 × Wire Rack

CLEANING

Easy to Clean Exterior

Easy to Clean Glass Doors

Automatic Defrost

MAX NOISE LEVEL

Quiet 39 dB(A) Operation

WEIGHT (KG)

Net: 29kg Gross: 32kg

SIZE, W/D/H (MM)

Packaged: 535 × 541 × 890

Physical: 470 × 475 × 840

INSTALLATION

Freestanding

Door Open Angle: 130°

Door Open Width: 917 mm

Top Clearance Minimum 5cm

Rear Clearance Minimum 5cm

Side Clearance Minimum 5cm

POWER REQUIREMENTS

Power Connection 10 Amp, Plug

Rated Voltage 220–240V~

Rated Frequency 50Hz

ADDITIONAL DETAILS

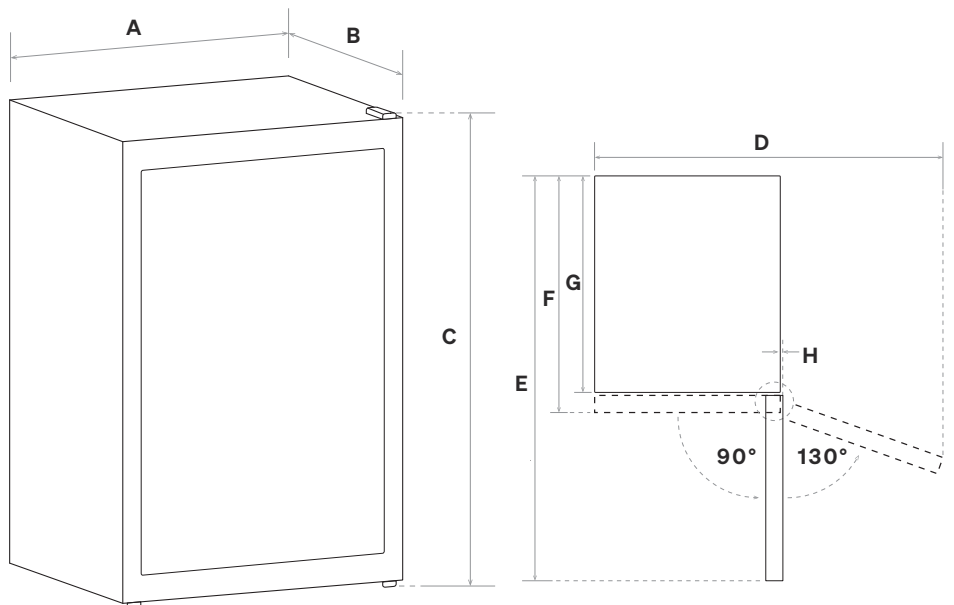
Barcode 9349260095373

Warranty 3 Years



FRONT VIEW

Note: See the user manual for detailed ventilation and installation details



DIMENSIONS (MM)

A 470	C 840	E 915.8	G 426.2
B 475	D 917	F 474.3	H 5.5