

## KM 2012

Gas cooktop  
with a mono wok burner for special applications.

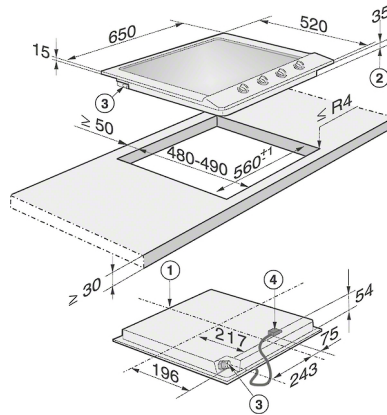


- Simple controls – single-handed operation via rotary dial control
- Professional design – 650mm wide stainless steel trough
- Particularly versatile – 4 burners incl. 1 mono wok
- Extremely safe – GasStop function
- Particularly high-quality – enamelled cast-iron pot rests

<b>Heating type</b>	
Heating type	Gas
<b>Construction type</b>	
Independent of cooker	•
<b>Design</b>	
Stainless steel trough	•
Cast iron pot rests (matt black enamelled)	•
<b>Cooking zone details</b>	
Number of cooking zones	4
<b>Cooking zone</b>	
Position	front left
Type	Single wok burner
Rating in W	3800
Position	rear left
Type	Economy burner
Rating in W	1000
Position	rear right
Type	Standard burner
Rating in W	1750
Position	front right
Type	Standard burner
Rating in W	1750
<b>User convenience</b>	
Operation via knobs	•
Electronic ignition with single-hand operation	•
<b>Cleaning convenience</b>	
PerfectClean burner	•
<b>Safety</b>	
GasStop	•
<b>Technical data</b>	
Dimensions in mm (width)	650
Dimensions in mm (depth)	520
Cutout dimensions in mm (width) with surface-mounted installation	560
Cutout dimensions in mm (depth) with surface-mounted installation	480
Voltage in V	230
Total rated load in kW	8.3
Weight in kg	14
Length of supply lead in m	2.0
<b>Standard accessories</b>	
Mains cable	•
Jets for liquid gas	•
Wok ring	•

## KM 2012

Gas cooktop  
with a mono wok burner for special applications.



KM2010G (Installation drawing)

1. Front
2. Building-in depth
3. Gas connection R 1/2 - ISO 7-1 (DIN EN 10226)
4. Mains connection box with mains connection cable, L = 2000 mm