

H 2861 BP

Built-in oven with automatic programmes, pyrolytic cleaning and AirFry mode



EAN: 4002516607201 / Material number: 12174490

- Built-in oven with a broad range of operating modes from Fan Grill to Conventional Heat for all types of traditional bread and roasted dishes
- Automatic programmes for guided cooking results
- AirFry mode for everything that is crunchy and crisp
- Minimal cleaning effort – Pyrolytic cleaning
- Lots of room and flexibility – 76 l oven capacity on 5 levels
- Protects against burns – touch-cool front door
- Network-enabled WiFi appliance Miele@home

Construction type and design	
Built-in Oven	•
PureLine	•
Appliance Colour	Obsidian Black
Non-retractable knobs	•
Convenience features	
Rapid heat-up	•
Operating modes	
Automatic programmes	•
Eco fan heat	•
Grill	•
Fan plus	•
Intensive bake	•
Conventional heat	•
Fan grill	•
AirFry	•
User convenience	
Display	EasyControl Plus
SoftOpen	•
SoftClose	•
Time of day display	•
Minute minder	•
Programmable start of cooking duration	•
Programmable end of cooking duration	•
Actual temperature display	•
Target temperature display	•
Buzzer when desired temperature is reached	•
Recommended temperature	•
Individual settings	•
Multilingua	•
Networking with Miele@home	•
Efficiency and sustainability	
Residual heat utilisation	•
Cleaning and care	
Stainless steel/CleanSteel finish	•
Pyrolytic self-cleaning	•
CleanGlass door	•
Safety	
Appliance cooling system and touch-cool front door	•
System lock	•
Door lock during pyrolytic cleaning	•
Technical data	
Oven compartment volume in l	76
No. of shelf levels	5
Numbered shelf levels	•
Oven light	1 halogen spot
Electronic temperature regulation min. in °C	30
Electronic temperature regulation max. in °C	300

H 2861 BP

Built-in oven with automatic programmes, pyrolytic cleaning and AirFry mode

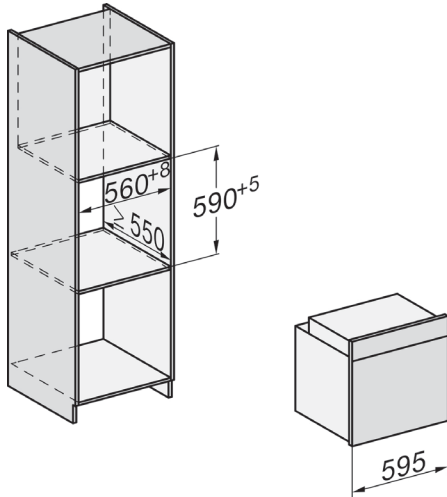


EAN: 4002516607201 / Material number: 12174490

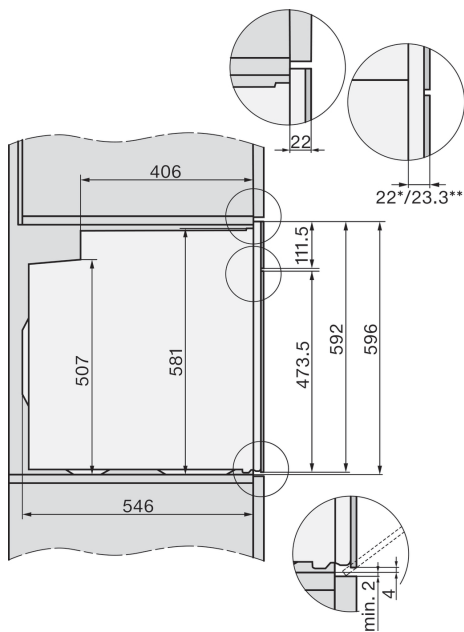
Technical data	
Niche width min. in mm	560
Niche width max. in mm	568
Niche height min. in mm	590
Niche height max. in mm	595
Niche depth in mm	550
Appliance width in mm	595
Appliance height in mm	596
Appliance depth in mm	569
Weight in kg	47
Total rated load in kW	3.60
Voltage in V	220-240
Frequency in Hz	50
Number of phases	1
Fuse rating in A	16
Length of supply lead in m	1.50
Accessories supplied	
Baking tray with PerfectClean	1
Universal tray with PerfectClean	1
Grill and Roast insert with PerfectClean	1
Wire rack	2
FlexiClip runners with PerfectClean	1
Removable side runners (pair)	1

H 2861 BP Installation diagrams

Installation in a tall or base unit

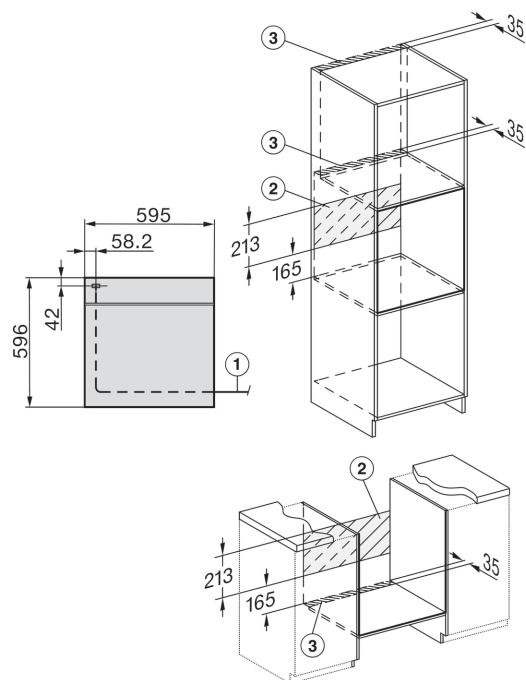


Side view



All dimensions are given in mm

Connection and ventilation



Key:

1. Mains connection cable, length = 1,500 mm
2. No connections permitted in this area
3. Ventilation cut-out, min 150 cm²