

## Product information sheet METRA XL 6 S

Item no. 528055

### Benefits

---



- Young, straight-lined design
- The large capacity of the bowl provides generous room to do the washing up
- Spacious draining area provides a high degree of comfort
- Left-hand version

### Colours

---



Available colours:

- black
- anthracite
- white

SILGRANIT anthracite

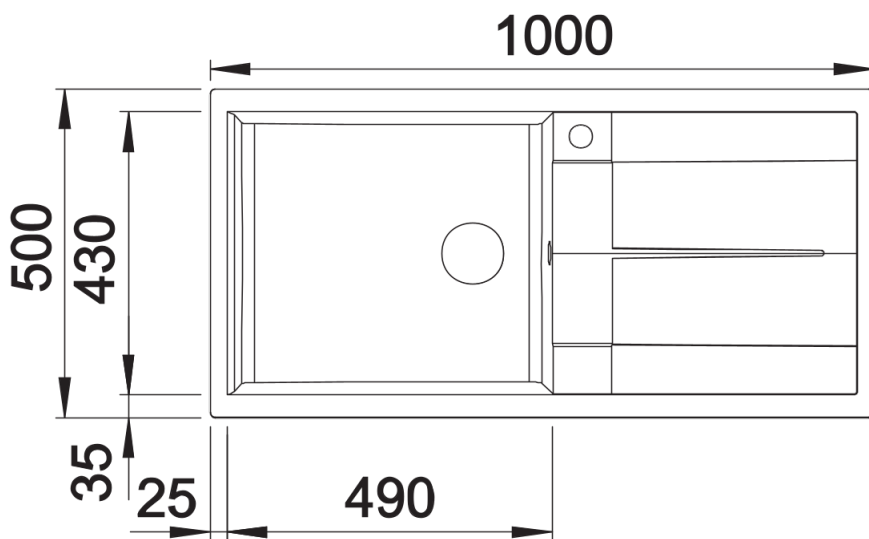
## Scope of supply

---

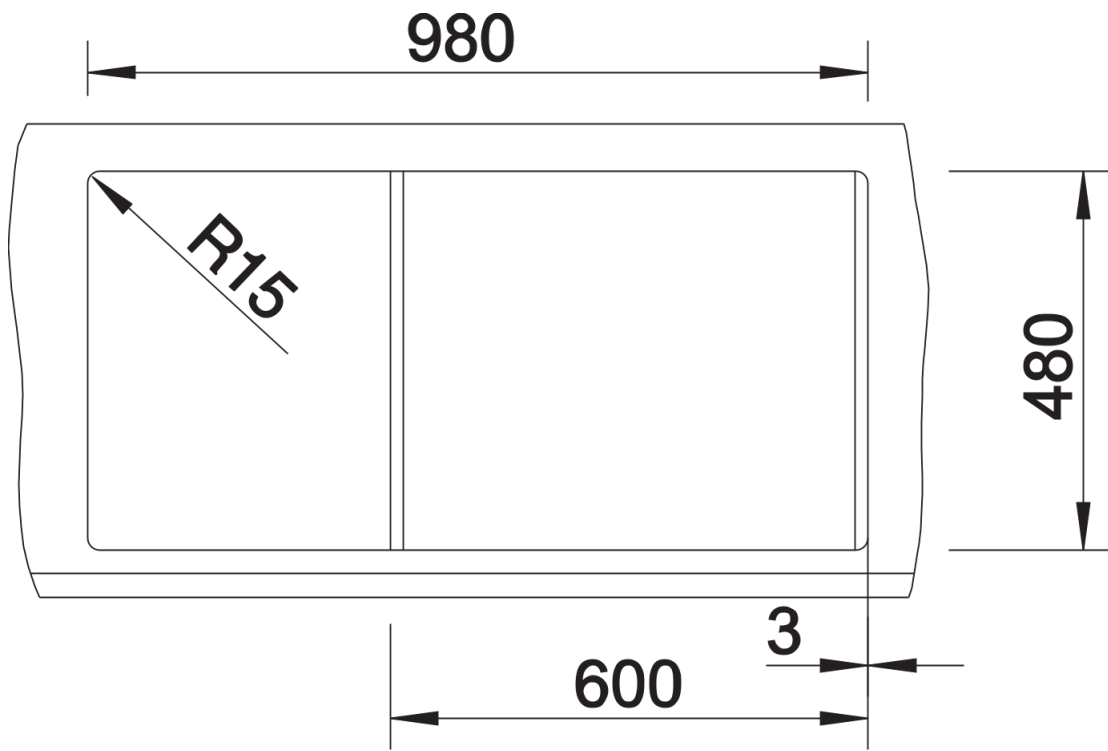
- waste kit
- 3 ½" basket strainer

## Details

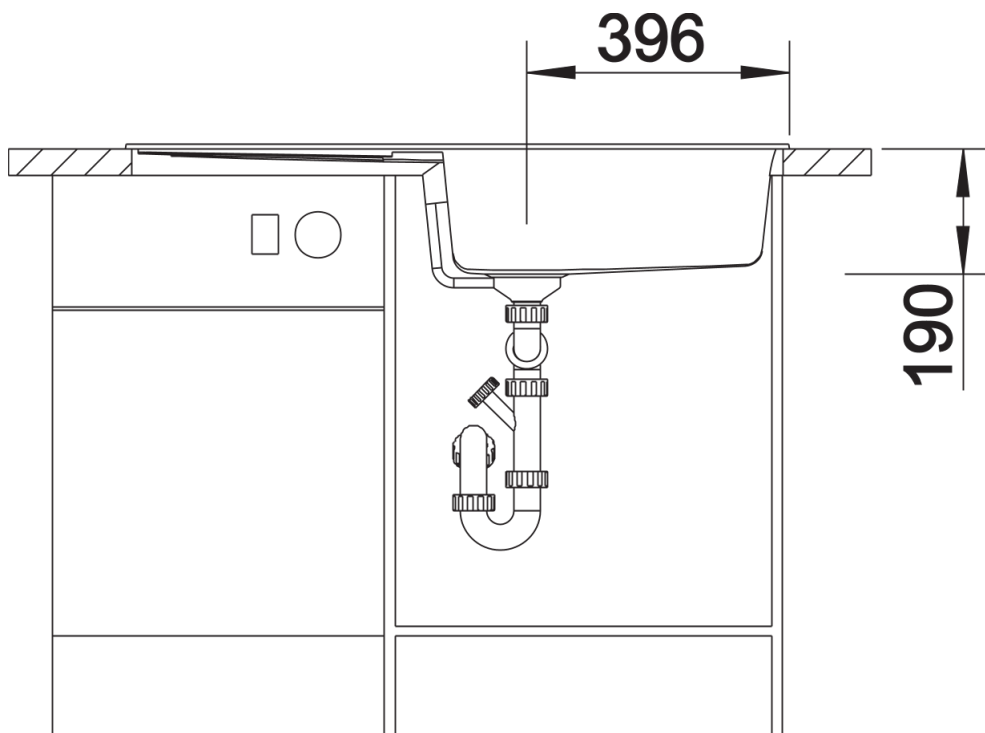
---



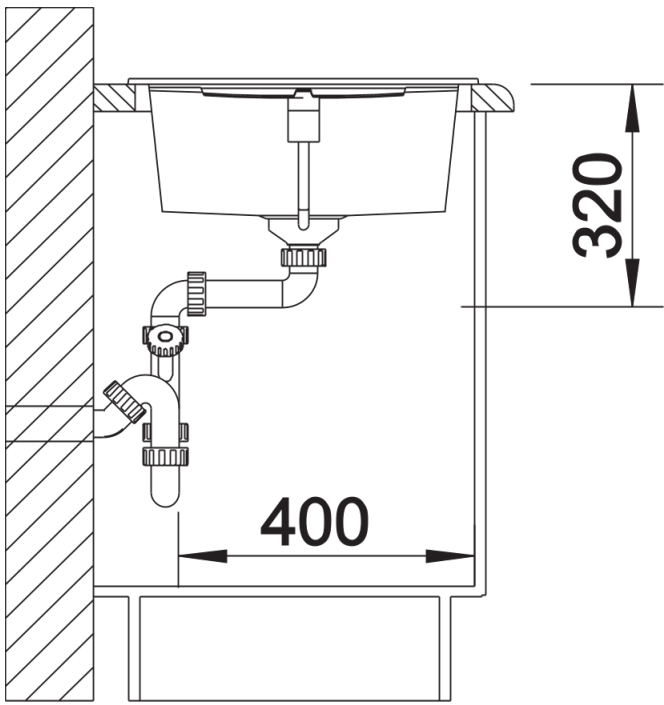
## Top view



Cut-out



Front view



Side view