

## Product information sheet METRA 6 S

Item no. 528047

### Benefits

---



- Young, straight-lined design
- The large capacity of the bowl provides generous room to do the washing up
- The additional bowl and the spacious draining area provide a high degree of comfort
- Left-hand version

### Colours

---



Available colours:

- black
- anthracite
- white

SILGRANIT white

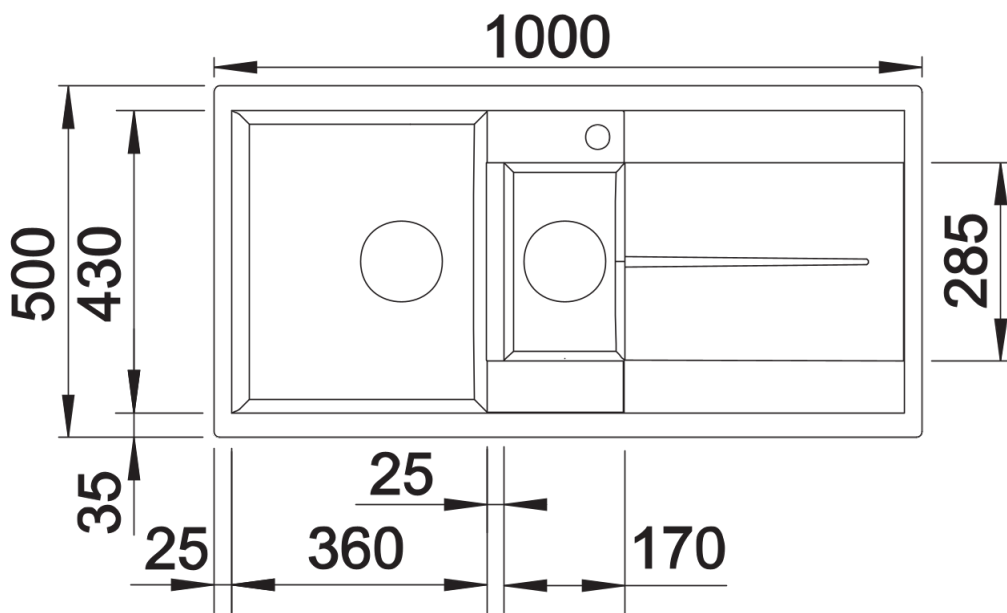
## Scope of supply

---

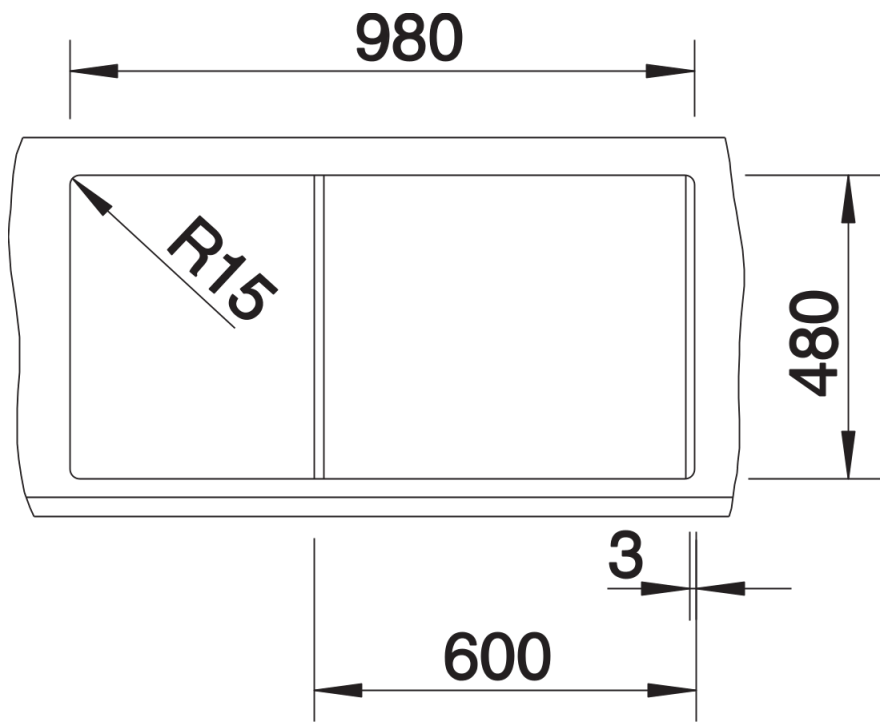
- waste kit
- 2 x 3 ½" basket strainer

## Details

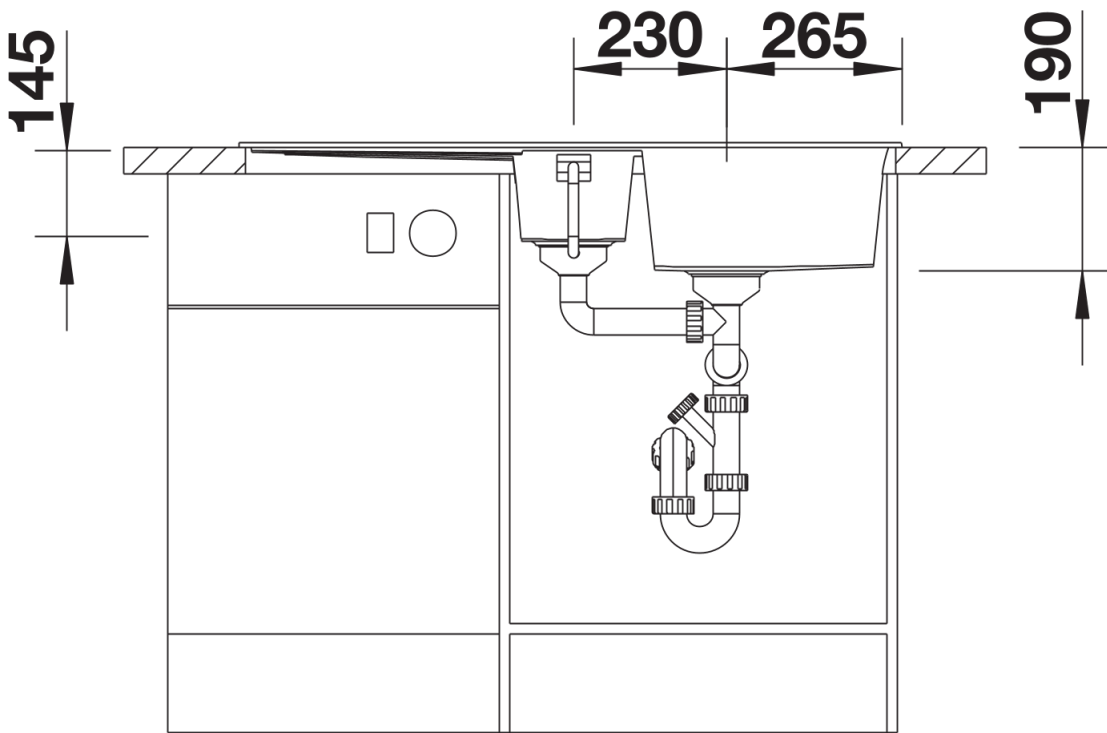
---



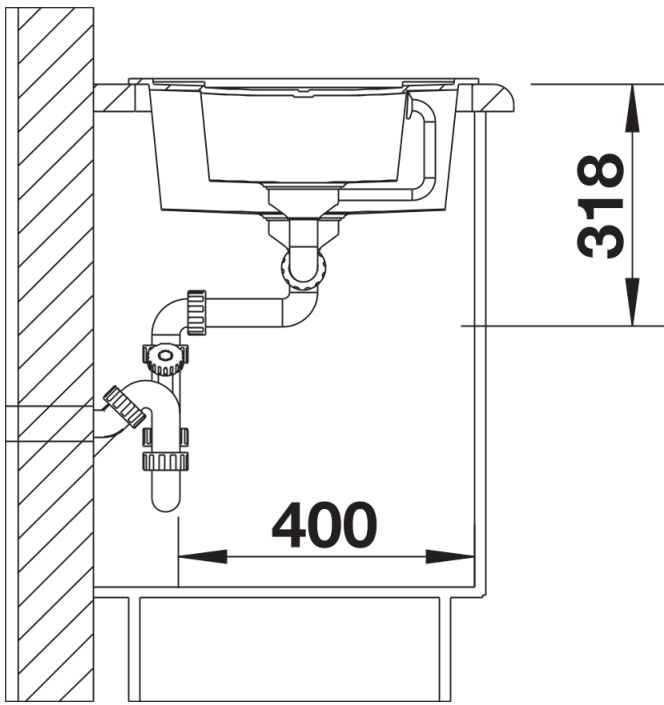
## Top view



Cut-out



Front view



Side view