

# 60cm Freestanding Dishwasher

## Stainless Steel

### AESTHETICS

Stainless Steel Finish

Button Controls with LED Indicators

### FUNCTIONALITY

Capacity: 14 Place Settings

6 × Wash Programs

Adjustable, Pull-Out Top Basket

Third-layer Cutlery Drawer

Stainless Steel Tub & Base

3, 6, 9hr Delay Start

75° C Max Water Temperature

Triple stage Filtration

Half Load Function

Extra Dry Function

### FUNCTIONS

1. Intensive

2. Heavy

3. ECO

4. 90 min

5. Glass

6. Rapid

### SAFETY

Child Lock

AquaStop Overflow Protection

### SIZE, W/D/H (MM)

Packaged 645 × 645 × 871

Physical 598 × 600 × 845\*

### WEIGHT (KG)

Net: 45 Gross: 49.5

### MAX NOISE LEVEL

49 dB(A) re 1 pW

### CONSUMPTION

Energy Rating (MEPS) 3.5 Stars

Energy Consumption 259 kWh per year

Water Rating (WELS) 4.5 Stars

Water Consumption 12L per wash

### INSTALLATION

Freestanding or Built-in

Water Connection Cold Water

Length of Hose 1.8m

Inlet / Drain 1.5m / 1.6m

Water Pressure: 0.04–1.00MPa

### POWER REQUIREMENTS

Supplied Plug 10 amp

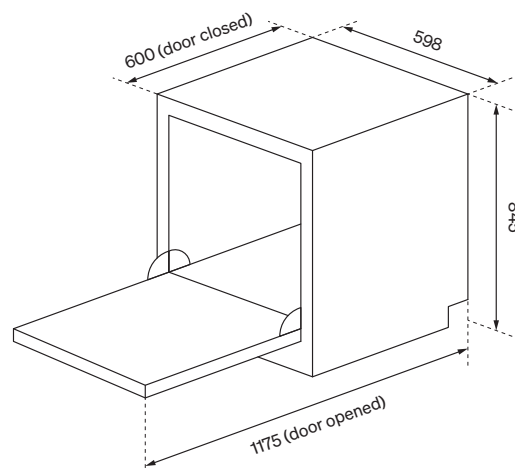
Rated Voltage 220–240V

Rated Frequency 50Hz

### ADDITIONAL DETAILS

Barcode 9349260096400

Warranty 3 Years



\* Height can be reduced to 815mm for built-in installation. See the user manual for detailed ventilation and installation details.