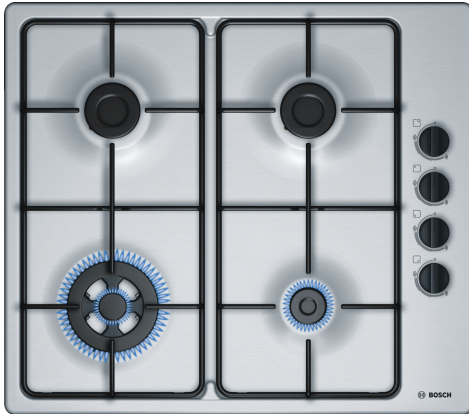


**Series 2, Gas cooktop, 60 cm,  
Stainless steel  
PBH6B5B80A**



HEZ298105 Simmer plate  
HEZ298114 Small pot support

**The gas cooktop with side-mounted controls: the desired cooking zones can be conveniently operated from the side.**

- **Wok burner:** powerful cooking at up to 13 MJ/h.
- **Continuous steel pan supports:** for maximum stability.
- **Sword knobs:** for an ergonomic control.
- **Surface colour:** elegant stainless-steel design.
- **Low profile stainless steel cooking surface is easily accessible and quick to clean.**

Product name/family: ..... gas hob w integrated controls  
 Built-in / Free-standing: ..... Built-in  
 Energy input: ..... Gas  
 Total number of positions that can be used at the same time: ..... 4  
 Type of control setting devices: ..... Sword knobs  
 Min. required niche size for installation (HxWxD): ..... 45 x 560-562 x 480-492 mm  
 Width of the appliance: ..... 580 mm  
 Dimensions (HxWxD): ..... 56 x 580 x 510 mm  
 Dimensions of the packed product (HxWxD): ..... 141 x 651 x 578 mm  
 Net weight: ..... 6.6 kg  
 Gross weight: ..... 7.5 kg  
 Residual heat indicator: ..... without  
 Location of control panel: ..... Lateral  
 Basic surface material: ..... Stainless steel  
 Color of surface: ..... Stainless steel  
 Length electrical supply cord: ..... 100.0 cm  
 EAN code: ..... 4242002834214  
 Gas connection rating: ..... 7700 W  
 Fuse protection: ..... 3 A  
 Voltage: ..... 220-240 V  
 Frequency: ..... 50; 60 Hz



**Series 2, Gas cooktop, 60 cm,  
Stainless steel  
PBH6B5B80A**

**The gas cooktop with side-mounted controls: the desired cooking zones can be conveniently operated from the side.**

---

**Design**

- 4 burner brushed stainless steel gas cooktop
- 2 standard, 1 economy, 1 wok burner
- Flat steel enamelled pan supports

**Size & Power**

- Front left: Wok burner 13 MJ/h
- Rear left: Standard burner up to 6.5 MJ/h (depending on gas type)
- Rear right: Standard burner up to 6.5 MJ/h (depending on gas type)
- Front right: Economy burner up to 3.8 MJ/h (depending on gas type)

**Comfort & Convenience**

- Easy to use side control knobs
- One-hand electronic ignition via controls

**Safety and Environment**

- Flame failure device fitted to each individual burner

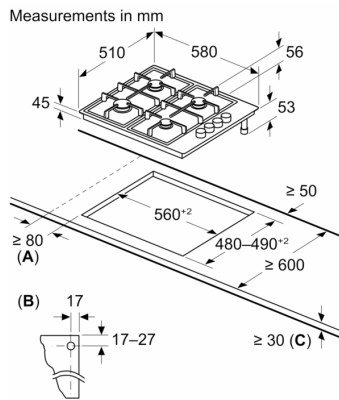
**Dimensions (WxD)**

- Appliance dimensions: (W x D) 580 mm x 510 mm
- Installation dimensions: (H x W x D) 45 mm x 560 mm x 480 mm
- Connecting cable 1 m with plug
- Preset to natural gas (10mbar)
- Preset to natural gas (10mbar)

**Supplied Accessories**

- Liquid gas nozzles (28-30/37mbar) included

**Series 2, Gas cooktop, 60 cm,  
Stainless steel  
PBH6B5B80A**



**A:** Min. distance from the hob cut-out to the wall

**B:** Position of gas connection in the cut-out

**C:** With fitted oven underneath possibly more; see space requirements for the oven