



Oven with microwaves

OCM24BGH.AU

ESSENCE

Series 2

Installation: Built-in

Black

Combined compact microwave oven

Oven volume: 50 l

1 wire guide

Construction and performance

- Oven type: Combined compact microwave oven
- Temperature probe: Yes
- Technology of producing microwaves: Stirrer technology

Use and flexibility

- Oven illumination: On both sides/different heights
- Number of baking levels: 4
- Telescopic slides: 1 wire guide
- Grill rack: 1 pcs
- Baking trays: 1 x glass tray, Middle baking pan
- Rotating grill spit: No
- Door hinge: Soft opening and closing

Interaction and control

- ConnectLife: Monitoring and control in the palm of your hand: ConnectLife

Design and integration

- Door material: Ceramic glass
- Colour of the product: Black
- Support feet: 4 fixed feet
- Min. niche width: 560 mm
- Min. niche height: 450 mm
- Depth (incl. wall spacing): 550 mm

Safety and maintenance

- Ventilator system: Active cooling of oven and door glass
- Door surface temperature: Cool Door
- Child lock: No
- Cleanability door glasses: No

Technical data

- Voltage (V): 220-240 V
- Fuse: 16
- Frequency: 50-60 Hz
- Time needed for the appliance to reach the applicable low power mode or condition: 15 min
- Power consumption in networked standby (status display excluded - WiFi enabled): 2 W
- Power consumption in standby mode - status display excluded: 0.5 W

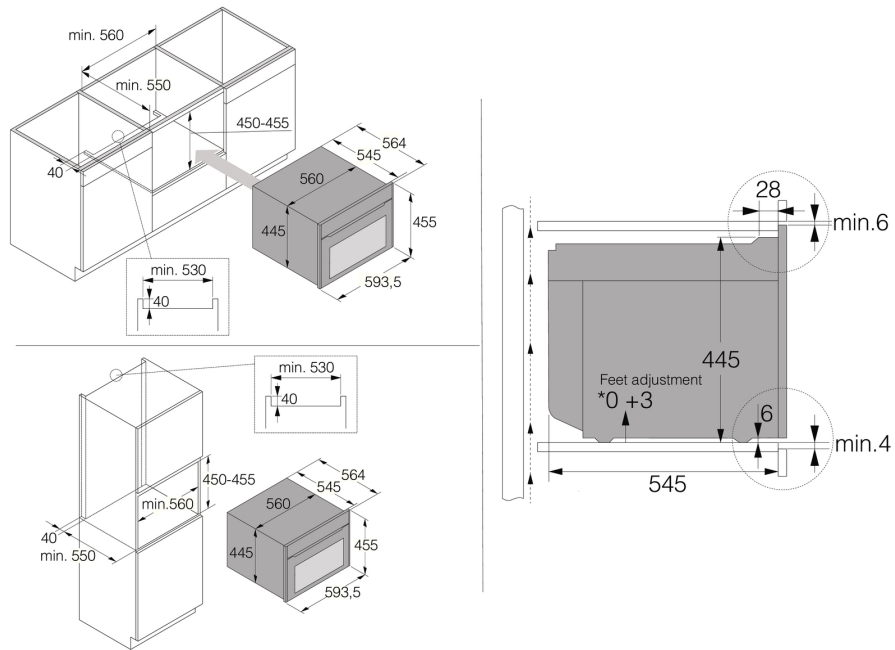
Dimensions

- Height: 455 mm
- Width: 594 mm
- Depth: 564 mm
- Length of electrical cord: 2000 mm
- Net weight: 33 kg

Logistic information

- Packaging height: 520 mm

- Packaging width: 640 mm
- Packaging depth: 695 mm
- Gross weight: 35.9 kg
- Product code: 747592
- EAN code: 3838783091253



B604 Glass 45cm non-pyro