

Front Loader Washing Machine, 9kg

Series 3 | Front Load

White

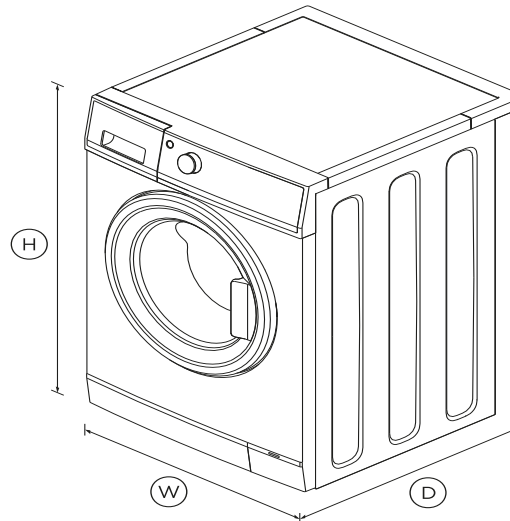


This front loader cares for all kinds of fabrics, with a cycle for everything from delicates to bulky items.

- Nine wash cycles including Quick, Delicate and Heavy
- 3 tick water rating
- Vortex Wash helps deliver a 30 minute Quick cycle without compromising fabric care

DIMENSIONS

| | |
|--------|-------|
| Height | 850mm |
| Width | 600mm |
| Depth | 655mm |



FEATURES & BENEFITS

NINE FABRIC CARE CYCLES

Featuring nine specially-developed wash cycles to care for your clothes, this machine has a cycle to suit every load type from Heavy to Delicate.

EASY TO USE

This washing machine features an intuitive control panel, where you can easily select your preferred cycle and wash boost options, which include Rinse+ and Pre Wash.

A SMARTER, QUIETER MOTOR

SmartDrive™ Technology is a gentle, quiet, and efficient combination of smart electronics and a direct drive motor that senses the load to deliver better fabric care.

QUICK CYCLES

When time is short, you can select a quick 30-minute wash without compromising cleaning and fabric care. Vortex Wash allows most cycles to take less than one hour to complete.

SAVES WATER

With a 3-tick water rating, our 9kg washing machine handles large loads while keeping water usage to a minimum.

DESIGNED TO MATCH

The complete package for a beautiful laundry. This washing machine is designed to match both the 8kg Heat Pump Condensing Dryer and the 8kg Condensing Dryer. With outstanding aesthetics and complementary wash and dry cycles, they become the perfect pair to deliver complete fabric care.

SPECIFICATIONS

Consumption

| | |
|------------------------------|-----------------|
| Annual energy consumption | 320kWh |
| Energy rating | 4 star |
| Water efficiency | 3 ticks |
| Water rating | 4.5 star (WELS) |
| Water usage (per wash cycle) | 73L |

Features

- Anti-fungal door gasket
- Auto out of balance correction
- Delay start
- Extra rinse option
- Flood protection

| | |
|----------------------------|---|
| Keylock | • |
| No spin / Spin Hold | • |
| Pre Wash | • |
| SmartTouch™ control dial | • |
| Stainless steel drum | • |
| Water temperature controls | 5 |

| | |
|----------|---|
| Quick 30 | • |
| Rinse | • |
| Spin | • |

| | |
|-----|-------|
| SKU | 95148 |
|-----|-------|



A PEACE OF MIND SALE

24 Hours 7 Days a Week Customer Support

T 1300 650 590 W www.fisherpaykel.com

Performance

| | |
|------------------------|-----------------|
| Maximum spin speed | 1200 rpm |
| Number of spin speeds | 3 |
| SmartDrive™ technology | • |
| Vortex Wash | • |

The product dimensions and specifications in this page apply to the specific product and model. Under our policy of continuous improvement, these dimensions and specifications may change at any time. You should therefore check with Fisher & Paykel's Customer Care Centre to ensure this page correctly describes the model currently available. ? Fisher & Paykel Appliances Ltd 2020

Product dimensions

| | |
|--------|--------------|
| Depth | 655mm |
| Height | 850mm |
| Width | 600mm |

Warranty

| | |
|-------------------------------|----------------|
| Parts and labour | 2 years |
| Parts only direct drive motor | 8 years |

Wash Cycles

| | |
|-----------------------|----------|
| Cottons | • |
| Delicate | • |
| Drum Clean | • |
| Easy Iron | • |
| Everyday | • |
| Heavy | • |
| Number of wash cycles | 9 |