

**Series 4, Built-in oven, 60 x 60 cm,  
Black  
HBA534BB3A**



HEZ327000 Pizza stone, HEZ32WA00 Wireless food thermometer, HEZ530000 Half tray, HEZ531010 Baking tray, non-stick ceramic coated, HEZ532010 Universal pan, non-stick ceramic coated, HEZ538000 1fold telescopic rail, level independent, HEZ617000 Pizza pan, enamelled, HEZ629070 Air Fry & Grill tray, HEZ631070 Baking tray, enamelled, HEZ632070 Multipurpose pan, enamelled, HEZ633001 Lid for professional pan, enamelled, HEZ633070 Professional pan with grid, enamelled, HEZ633073 Professional pan, enamelled, HEZ634000 Baking and roasting grid, HEZ636000 Glass pan, HEZ638000 Full ext rails, level independent, HEZ660060 Strip, HEZ915003 Glass roasting dish, 5,4 L

**Perfect results: 3D hotair for perfect baking and roasting results on up to three levels simultaneously.**

- **Red LED display control:** easy-to-use thanks to the time functions.
- **3D Hotair:** even heat distribution for perfect results on up to three levels.
- **Energy Efficiency Class A+:** thanks to improvement of the oven construction you can save energy while cooking.
- **Pop-out controls:** Make the front of the oven easy to clean and provide a sleek and stylish front.
- **EcoClean Direct:** A special coating of the rear wall that automatically absorbs cooking residue.

Color / Material Front: ..... Black  
 Built-in / Free-standing: ..... Built-in  
 Door opening: ..... Drop down  
 Integrated Cleaning system: ..... EcoClean program, Hydrolytic  
 Control Panel Material: ..... Glass  
 Door Material: ..... Glass  
 Dimensions: ..... 595x594x548 mm  
 Dimensions of the packed product (HxWxD): ..... 675 x 660 x 690 mm  
 Required niche size for installation (HxWxD): ..... 585-595 x 560-568 x 550 mm  
 Cavity dimensions: ..... 357 x 480 x 415 mm  
 Usable volume of cavity: ..... 71 l  
 Number of interior lights: ..... 1  
 Net weight: ..... 32.6 kg  
 Gross weight: ..... 34.8 kg  
 EAN code: ..... 4242005464463  
 Connection rating: ..... 3400 W  
 Fuse protection: ..... 16 A  
 Voltage: ..... 220-240 V  
 Frequency: ..... 50; 60 Hz  
 Length electrical supply cord: ..... 120.0 cm



## **Series 4, Built-in oven, 60 x 60 cm, Black HBA534BB3A**

**Perfect results: 3D hotair for perfect  
baking and roasting results on up to three  
levels simultaneously.**

---

### **Heating Functions**

- Oven with 7 PCh heating methods:
- Full width grill
- Hotair gentle 3D Hotair Top/Bottom heating Pizza setting Bottom heating Hot-air grilling
- Temperature range 50 °C - 275 °C
- Cavity volume: 71 l

### **Design**

- Rotary Control Dials, Round, Retractable controls dials
- Anthracite enamel cavity with 5 shelf positions
- Extra large capacity oven

### **Racks and Rails**

- Number of shelf levels: 5
- Telescopic rails: telescopic rails available as optional accessory

### **Cleaning**

- Eco Clean: A microfine ceramic beaded coating on the oven's interior Rear wall
- Easy Clean cleaning program
- New design full glass inner door, easy to clean with simple access to the door glass

### **Convenience**

- LED-display control (red)
- Electronic clock/timer with end time programming
- Temperature control indicator
- Automatic start function
- Stainless steel bar handle
- Rapid heating up
- Halogen lighting
- Cooling fan

### **Accessories**

- combination grid, universal pan

### **Safety Features**

- Triple glass door panel glazed, Low door temperature when in use.
- Child lock

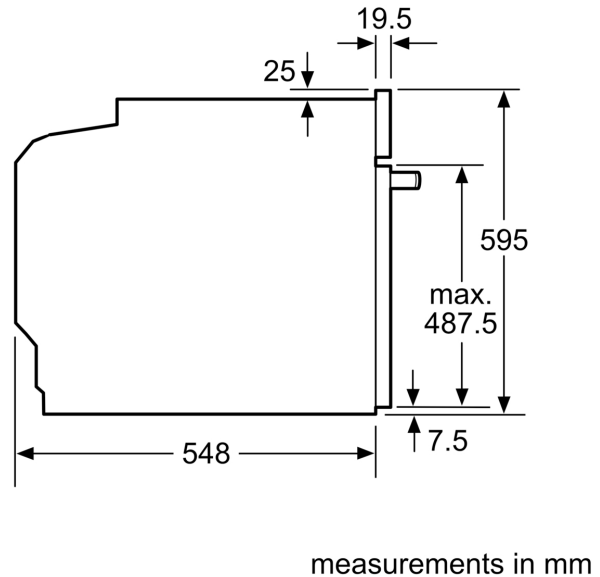
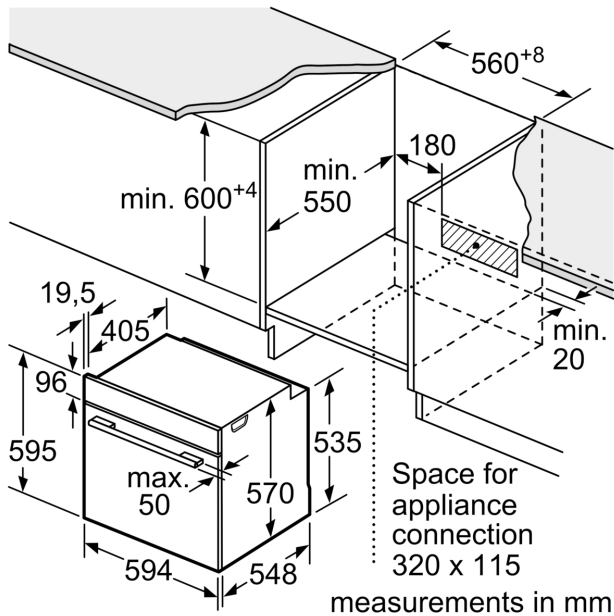
### **Technical Information**

- Length of mains cable: 120 cm
- Nominal voltage: 220 - 240 V
- Total connected load electric: 3.4 KW

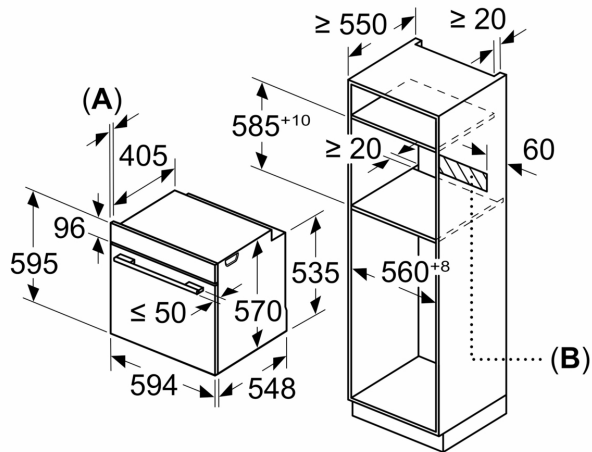
### **Dimensions:**

- Appliance dimension (HxWxD): 595 mm x 594 mm x 548 mm
- Installation dimensions (HxWxD): 585 mm - 595 mm x 560 mm - 568 mm x 550 mm
- Please reference the built-in dimensions provided in the installation drawing

**Series 4, Built-in oven, 60 x 60 cm,  
Black  
HBA534BB3A**



Measurements in mm



**A:** 19.5 mm  
**B:** Space for appliance connection 320 x 115 mm

Installation with a hob.

