



YOUR EASYKIT

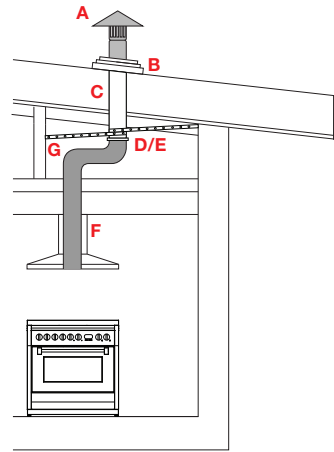
WHAT'S IN THEM & WHERE DOES IT ALL GO?



Using Sirius ducting provides you the best possible outcome:

1. Lowest noise level
2. Best quality air flow
3. Optimum performance of rangehood

The illustrations below are basic examples of the main installation methods used to vent rangehoods. These images are aligned with the components supplied in our **EasyKIT's** and where each piece fits.



EASY ROOF KIT



A Galvanised Steel Roof Cowl



B Roof Flashing Included

C 1m Galv. Steel Rigid Duct



D Universal Ring Clamps



E Internal Duct Connectors



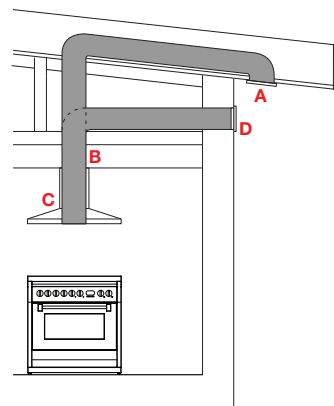
F 3m Semi Rigid Ducting



G Bracing Strap



* Internal Duct Adapter. Suitable for 125mm Applications

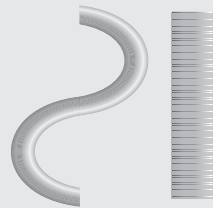


EASY WALL/EAVE KIT



A Stainless Steel Eave Vent (Eave Kit Only)

B 3m Semi Rigid Ducting



C Universal Ring Clamps



D Stainless Steel Wall Vent (Wall Kit Only)



* Internal Duct Adapter. Suitable for 125mm Applications

* Internal duct adapters are used to increase diameter of 125mm vented rangehoods to 150mm

SEMI-RIGID DUCTING

- 4-Zero fire rated to 250°C and meeting all current criteria for relevant Australian and New Zealand standards.
- Available in unique Semi-Rigid Plus (1.2mm thick) or Semi-Rigid PRO (1.5mm thick) to minimise noise.
- Compressed to around one metre for convenient shipping and storage, and can stretch out to 3 metres for effective installation.

Please Note: The overall length of recommended ducting is reduced with each bend as much as 0.5 metres with each 90° bend. Please allow for this when working out exactly what duct length is required for your situation and needs.

Use of any ducting material not suited for rangehood applications will void your customer warranty.

6 Year Warranty

on your Sirius rangehood when Sirius ducting is used.

Full replacement warranty on parts and labour.
See website for terms and conditions.
(3 years on rangehood + 3 years when Sirius ducting is used)

ARISIT PTY LIMITED

(Australia)

ABN 23 091 515 294
40-44 Mark Anthony Drive
Dandenong South VIC 3175

P: Sales: 1300 762 219
Service: 1300 762 219

F: Sales & Service
(03) 9768 0838

E: arisit@arisit.com

ARISIT PTY LIMITED

(New Zealand)

1A Howe Street Newton,
Auckland 1145

PO Box 68-140 Newton,
Auckland 1145

P: (09) 306 1020

F: (09) 302 0077

E: sales2@aristonappliances.co.nz

WWW.ARISIT.COM

Sirius Hoods and ducting products are only available from our select group of Sirius Professional Stockists nationwide. For the latest list of Sirius Stockists near you, please refer to:

www.siriusbrand.com

All efforts have been made to ensure that the information provided in this brochure is correct at the time of printing. Due to continuous product improvement and ongoing development, Sirius reserves the right to make changes to the products and technical data without prior notice. Some products appearing in this brochure may be for illustrative purposes only. Diagrams are indicative measures only. Prior to commencing cabinetry cutouts the operating/installation instructions accompanying the product must be referred to.



Sirius
universal ducting
SOLUTIONS

 EasyKIT



6 Year Warranty

when Sirius ducting is used on a Sirius Hood



DO NOT use low quality flexible ducting on your high performance rangehood!

Use of any ducting material not suited for rangehood application will void your customer warranty. This is due to the fact that poor quality flexible ducting can create additional noise and dramatically reduce the extraction rate of your high powered kitchen rangehood.

Sirius provides a full range of high quality, cost effective ducting kits and individual parts which will provide you with the best result for your rangehood and add an additional 3 years warranty when used with a Sirius rangehood.

If you or your installers are not sure on any part of the installation or parts required, Sirius ducting consultants are just a phone call away.



Don't let poor quality ducting ruin the performance of your rangehood.

If in doubt,

DIAL before you DUCT

1300 762 219 (Australia Only)

www.siriusbrand.com

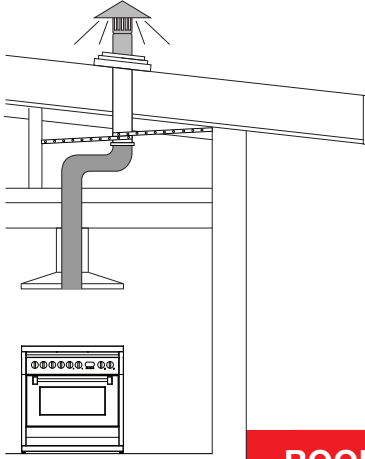


CHOOSING YOUR EASYKIT



- 1 DIAMETER OF RANGEHOOD DUCTING
- 2 TYPE OF INSTALLATION - TILED OR METAL ROOF
- 3 CHOOSE YOUR KIT

Note: All EasyKits can be used with an SEM1 motor (150mm ducting diameter) and SEM8 Motor (200mm ducting diameter). You will need to order addition URC25 Universal Ring Clamps.



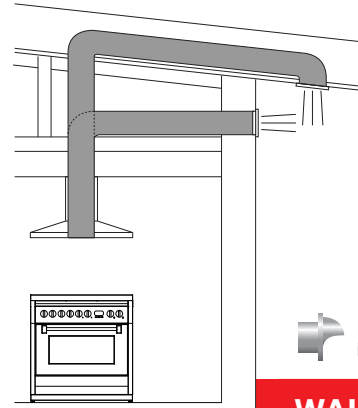
ROOF KITS

EASYROOF-150M Suitable for 125/150mm Metal Roof Vented R/Hoods \$229	
Inventory ID	Description
GDR125-150	GALVANISED STEEL DUCT ADAPTER 125/150MM
SRPL30-150	3M SEMI RIGID DUCT
URC25-215	UNIVERSAL GALVANISED STEEL RING CLAMPS x 2
GDC-150	GALVANISED STEEL INTERNAL DUCT CONNECTOR x 2
GP12-150	GALVANISED STEEL RIGID DUCTING
GBS-150	GALVANISED STEEL (PERFORATED) BRACING STRAP
GRC-150	ROOF COWL GALVANISED STEEL 150MM
MRF-G102	METAL ROOF PIPE FLASHING 275X275

EASYROOF-150T Suitable for 125/150mm Tiled Roof Vented R/Hoods \$259	
Inventory ID	Description
GDR125-150	GALVANISED STEEL DUCT ADAPTER 125/150MM
SRPL30-150	3M SEMI RIGID DUCT
URC25-215	UNIVERSAL GALVANISED STEEL RING CLAMPS x 2
GDC-150	GALVANISED STEEL INTERNAL DUCT CONNECTOR x 2
GP12-150	GALVANISED STEEL RIGID DUCTING
GBS-150	GALVANISED STEEL (PERFORATED) BRACING STRAP
GRC-150	ROOF COWL GALVANISED STEEL 150MM
TRF-G075	TILED ROOF PIPE FLASHING

EASYROOF-200M Suitable for 200mm Metal Roof Vented R/Hoods \$319	
Inventory ID	Description
SRPL30-200	3M SEMI RIGID DUCT
URC25-215	UNIVERSAL GALVANISED STEEL RING CLAMPS x 2
GDC-200	GALVANISED STEEL INTERNAL DUCT CONNECTOR x 2
GP12-200	GALVANISED STEEL RIGID DUCTING
GBS-150	GALVANISED STEEL (PERFORATED) BRACING STRAP
GRC-200	ROOF COWL GALVANISED STEEL 200MM
MRF-G178	MET ROOF PIPE FLASHING 435X435

EASYROOF-200T Suitable for 200mm Tiled Roof Vented R/Hoods \$329	
Inventory ID	Description
SRPL30-200	3M SEMI RIGID DUCT
URC25-215	UNIVERSAL GALVANISED STEEL RING CLAMPS x 2
GDC-200	GALVANISED STEEL INTERNAL DUCT CONNECTOR x 2
GP12-200	GALVANISED STEEL RIGID DUCTING
GBS-150	GALVANISED STEEL (PERFORATED) BRACING STRAP
GRC-200	ROOF COWL GALVANISED STEEL 200MM
TRF-G203	TILED ROOF PIPE FLASHING 505X505



Note: Domed Wall Vent available in 200mm EasyWall Kit only

WALL/EAVE KITS

EASYWALL-150 Suitable for 125/150mm Wall Vented R/Hoods \$139	
Inventory ID	Description
SRPRO30-150	3M SEMI RIGID DUCT
URC25-215	UNIVERSAL GALVANISED STEEL RING CLAMPS x 2
GDR125-150	GALVANISED STEEL STEEL DUCT ADAPTER 125/150MM
SLV-150	STAINLESS STEEL FIXED LOUVRE WALL VENT

EASYEAVE-150 Suitable for 125/150mm Eave Vented R/Hoods \$139	
Inventory ID	Description
SRPRO30-150	3M SEMI RIGID DUCT
URC25-215	UNIVERSAL GALVANISED STEEL RING CLAMPS x 2
GDR125-150	GALVANISED STEEL STEEL DUCT ADAPTER 125/150MM
SEV-150	STAINLESS STEEL MESH EAVE VENT

EASYWALL-200 Suitable for 200mm Wall Vented R/Hoods \$189	
Inventory ID	Description
SRPRO30-200	3M SEMI RIGID DUCT
URC25-215	UNIVERSAL GALVANISED STEEL RING CLAMPS x 2
SDV-200	STAINLESS STEEL FIXED LOUVRE DOME WALL VENT



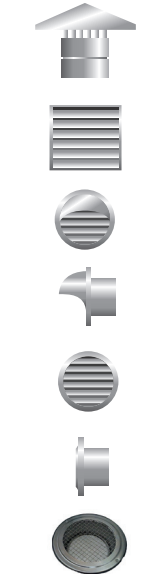

EASYEAVE-200 Suitable for 200mm Eave Vented R/Hoods \$179	
Inventory ID	Description
SRPRO30-200	3M SEMI RIGID DUCT
URC25-215	UNIVERSAL GALVANISED STEEL RING CLAMPS x 2
SEV-200	STAINLESS STEEL MESH EAVE VENT

NEED TO TAILOR YOUR INSTALLATION?

SIRIUS OFFER INDIVIDUAL DUCTING COMPONENTS, CATERING TO ALL TYPES OF RANGE HOOD INSTALLATION.

PLEASE SEE NEXT PAGE FOR A COMPREHENSIVE LIST OF INDIVIDUAL PARTS.

SIRIUS DUCTING INDIVIDUAL COMPONENTS

Image	Model	Description	Diameter	Qty.	RRP
Duct Pieces 	SR30-125	0.8mm Thick, 3.0m Semi Rigid Ducting - 125mm	125mm		\$36.00
	SRPL30-125	1.2mm Thick, 3.0m Semi Rigid PLUS Ducting - 125mm	125mm		\$49.00
	SRPL30-300	1.2mm Thick, 3.0m Semi Rigid PLUS Ducting - 300mm	300mm		\$199.00
	SRPRO30-150	1.5mm Thick, 3.0m Semi Rigid PRO Ducting - 150mm	150mm		\$59.00
	SRPRO30-200	1.5mm Thick, 3.0m Semi Rigid PRO Ducting - 200mm	200mm		\$79.00
	GP12-125	1.2m Galvanised Steel Solid Duct Pipe - 125mm	125mm		\$50.00
	GP12-150	1.2m Galvanised Steel Solid Duct Pipe - 150mm	150mm		\$60.00
	GP12-200	1.2m Galvanised Steel Solid Duct Pipe - 200mm	200mm		\$100.00
	GP12-300	1.2m Galvanised Steel Solid Duct Pipe - 300mm	300mm		\$129.00
	Connectors, Reducers & Elbows 	GE45-125	45 degree Elbow Galvanised Steel - 125mm	125mm	
GE45-150		45 degree Elbow Galvanised Steel - 150mm	150mm		\$44.00
GE45-200		45 degree Elbow Galvanised Steel - 200mm	200mm		\$49.00
GE90-125		90 degree Elbow Galvanised Steel - 125mm	125mm		\$44.00
GE90-150		90 degree Elbow Galvanised Steel - 150mm	150mm		\$49.00
GE90-200		90 degree Elbow Galvanised Steel - 200mm	200mm		\$59.00
GE90-300		90 degree Elbow Galvanised Steel - 300mm	300mm		\$89.00
GDC-125		Internal Duct Connectors Galvanised Steel / Rubber Gaskets - 125mm	125mm		\$12.50
GDC-150		Internal Duct Connectors Galvanised Steel / Rubber Gaskets - 150mm	150mm		\$15.00
GDC-200		Internal Duct Connectors Galvanised Steel / Rubber Gaskets - 200mm	200mm		\$20.00
GDC-300		Internal Duct Connectors Galvanised Steel / Rubber Gaskets - 300mm	300mm		\$22.00
GDC-125E		External Duct Connectors Galvanised Steel - 125mm	125mm		\$12.50
GDC-150E		External Duct Connectors Galvanised Steel - 150mm	150mm		\$15.00
GDC-200E		External Duct Connectors Galvanised Steel - 200mm	200mm		\$20.00
GDR125/150		Duct Reducer Galvanised Steel - 125/150mm	125mm		\$49.00
GDR150/200		Duct Reducer Galvanised Steel - 150/200mm	150mm		\$69.00
GDR200/300		Duct Reducer Galvanised Steel - 200/300mm	200mm		\$79.00
GDRO125/150		Offset Duct Reducer Galvanised Steel - 125/150mm	125mm		\$49.00
GDRO150/200	Offset Duct Reducer Galvanised Steel - 150/200mm	150mm		\$69.00	
URC25-215	Universal Ring Clamps (pair) - 25mm-215mm Diameter				\$11.00
URC25-325	Universal Ring Clamps (pair) 25mm-325mm Diameter				\$14.00
Vents & Cowls 	GRC-125	Roof Cowl - Galvanised Steel - 125mm	125mm		\$49.00
	GRC-150	Roof Cowl - Galvanised Steel - 150mm	150mm		\$69.00
	GRC-200	Roof Cowl - Galvanised Steel - 200mm	200mm		\$99.00
	GRC-300	Roof Cowl - Galvanised Steel - 300mm	300mm		\$159.00
	FL150-RSB	Rectangular Fixed Louvre Grill with Std Blades 285mmx215mm	150mm		\$99.00
	FL150-RSBA	Rectangular Fixed Louvre Grill with Std Blades 285mmx215mm - Anodised	150mm		\$99.00
	FL150-RSBW	Rectangular Fixed Louvre Grill with Std Blades 285mmx215mm - White	150mm		\$99.00
	FL150-SSBW	Square Fixed Louvre Grill with Std Blades 215mmx215mm - White	150mm		\$89.00
	SDV-125	Stainless Steel External Fixed Louvre Wall Vent Dome Rain Guard - 125mm	125mm		\$59.00
	SDV-150	Stainless Steel External Fixed Louvre Wall Vent Dome Rain Guard - 150mm	150mm		\$69.00
	SDV-200	Stainless Steel External Fixed Louvre Wall Vent Dome Rain Guard - 200mm	200mm		\$109.00
	SLV-125	Stainless Steel External Fixed Louvre Wall - 125mm	125mm		\$59.00
	SLV-150	Stainless Steel External Fixed Louvre Wall Vent-150mm	150mm		\$69.00
	SSV-125	Stainless Steel External Louvre with Swing Vent and Insect Mesh	125mm		\$69.00
	SSV-150	Stainless Steel External Louvre with Swing Vent and Insect Mesh	150mm		\$79.00
	SEV-125	Round Stainless Steel Eave Vent with Insect Mesh - 125mm	125mm		\$49.00
	SEV-150	Round Stainless Steel Eave Vent with Insect Mesh - 150mm	150mm		\$69.00
	SEV-200	Round Stainless Steel Eave Vent with Insect Mesh - 200mm	200mm		\$99.00
SCV-125	Round Louvre Grill with Adjustable Curved Blades	125mm		\$69.00	
SCV-150	Round Louvre Grill with Adjustable Curved Blades	150mm		\$89.00	
Flashing & Accessories 	MRF-G102	Metal Roof - Pipe Flashing (suits Dia. 102-178mm) base size 275x275mm			\$59.00
	MRF-G178	Metal Roof - Pipe Flashing (suits Dia. 178-300mm) base size 435x435mm			\$99.00
	TRF-G075	Tiled Roof - Pipe Flashing (suits Dia. 75-203mm) base size 505x505mm			\$99.00
	TRF-G203	Tiled Roof - Pipe Flashing (suits Dia. 203-330mm) base size 850x720mm			\$179.00
	GBS-150	Galvanised Steel (Perforated) Bracing Strap 19mmx1.5m			\$4.50
	SEM 10 & SEM 12 optional rectangular ducting pieces	SPS-66102291000	1200mm Length ducting piece rectangular 220 x 90		
SPS-66101020229		Length to length connector - 44mm			\$26.00
SPS-66101000022		Rectangular to 150mm round - 90 degree adaptor			\$39.00
SPS-66101010229		Rectangular to rectangular 90 degree adaptor			\$36.00
SPS-66101030229		Rectangular to round straight-run adaptor			\$39.00
SPS-66101000229		Rectangular to rectangular 90 degree HORIZONTAL adaptor			\$39.00
SPS-66101040229		Unit outlet (rangehood) to rectangular ducting adaptor			\$29.00

Please visit the Sirius website for suggested ducting solutions for the SEM10 motor.