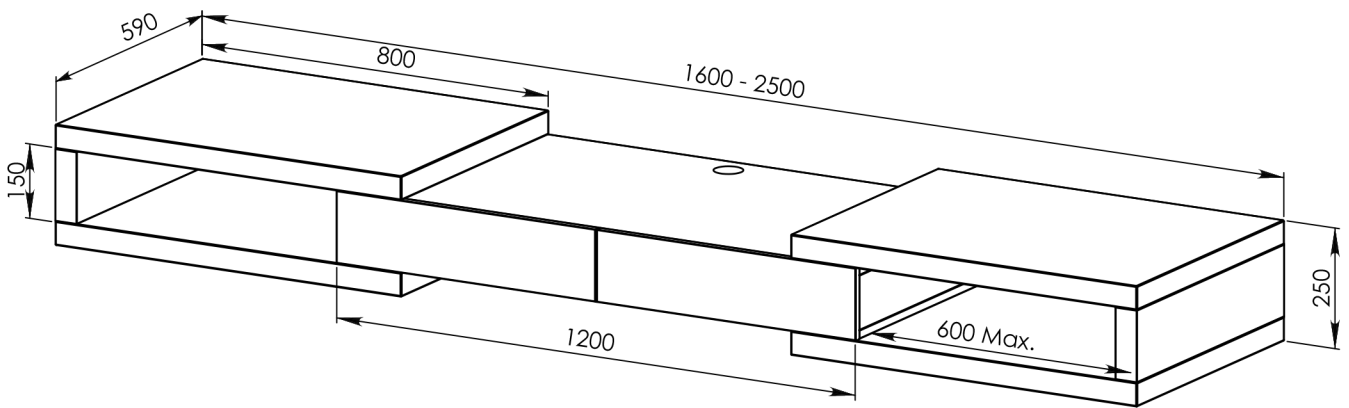




**TAURIS**  
www.rvm.com.au

# Assembly Instruction Manual

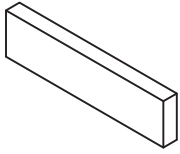
MODEL NO.: SPLIT2500



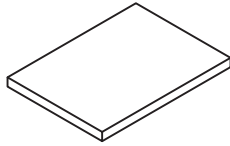
- 
- Please follow these assembly instructions as it will save you time, make assembly easier and prevent possible damage to your new unit.
  - Correct assembly is your responsibility.
  - We strongly recommend that the unit is assembled on a soft surface such as carpet or blanket.
  - We suggest the use of hand tools only to tighten all screws and fittings, as power tools can strip threads if over tightened.
  - **When moving this furniture item, always carry the unit. Dragging or sliding the unit could damage the unit and the floor surface.**
-

# Part List:

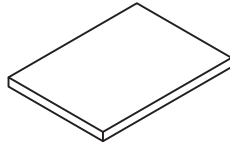
① x2pcs



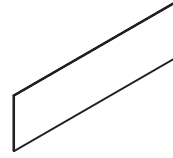
② x2pcs



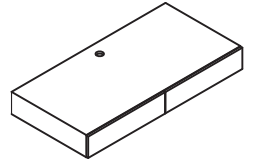
③ x2pcs



④ x2pcs



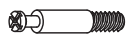
⑤ x1pc



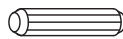
⑥ x8pcs



⑦ x8pcs



⑧ x8pcs



∅10x50

⑨ x20pcs

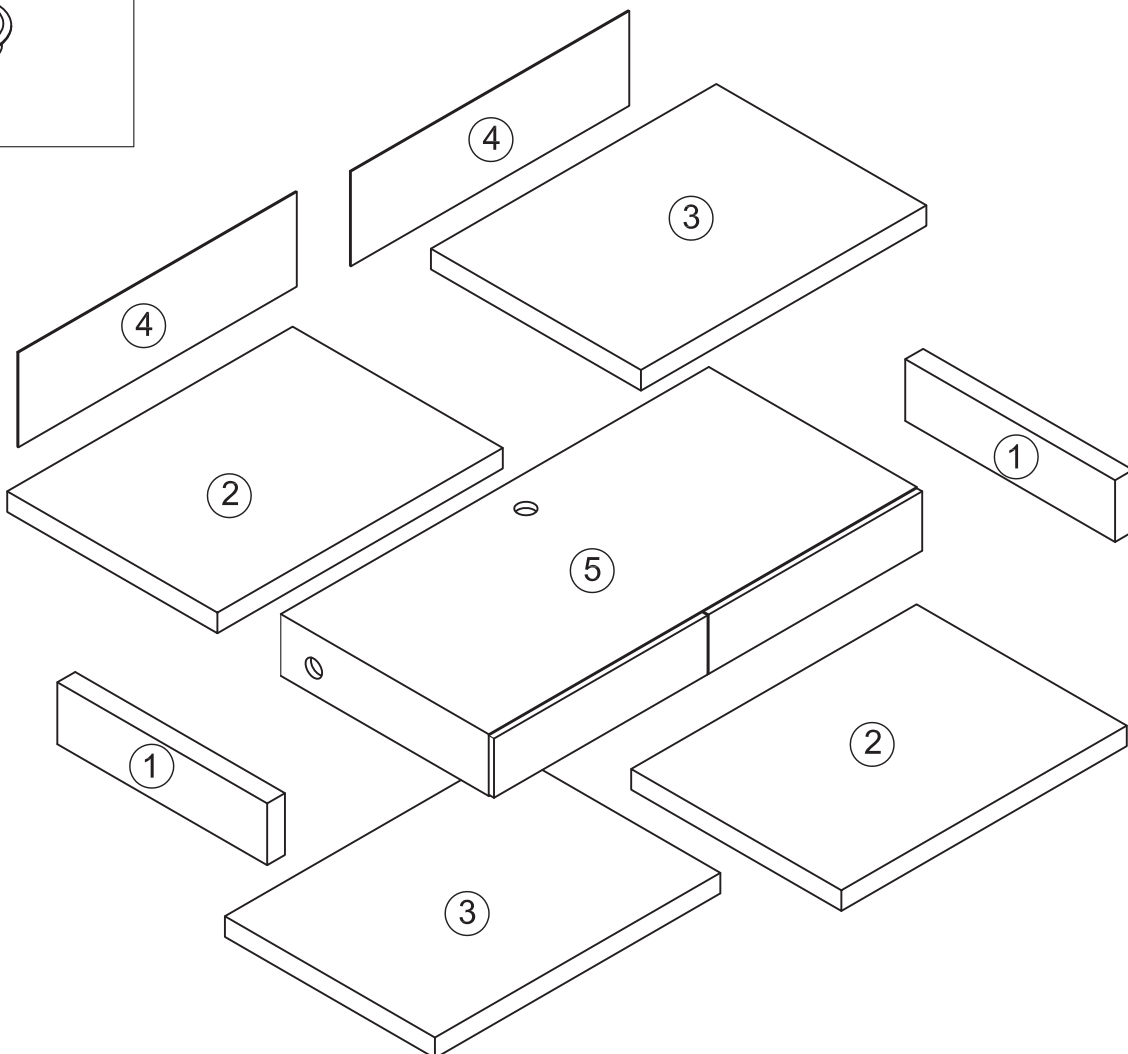


∅4x16

⑩ x1pc



⑪ x1pc

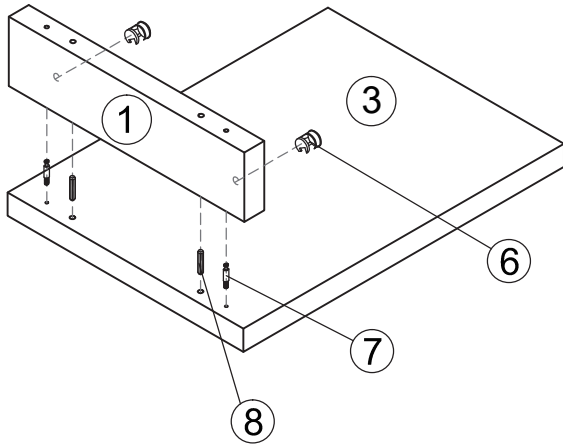
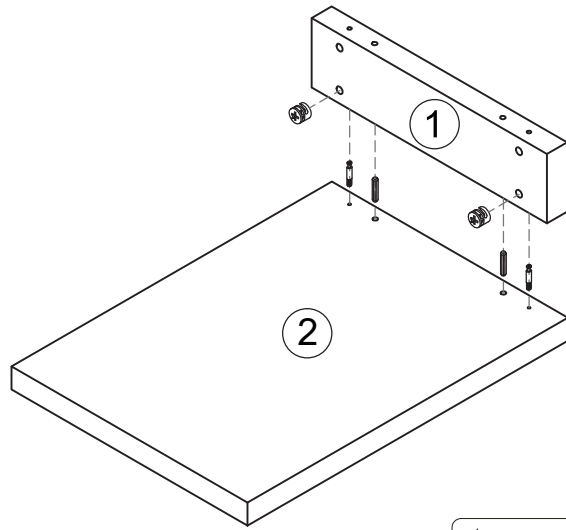



# STEP 1


 ⑥ x4

 ⑦ x4

 ⑧ x4



 **HINT** **Cam fitting detail**  
When inserting cam, ensure arrowhead on cam points toward to the hole on the panel edge.

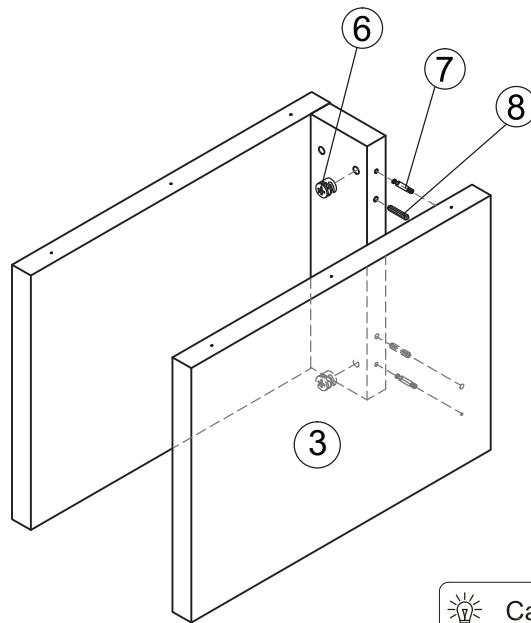
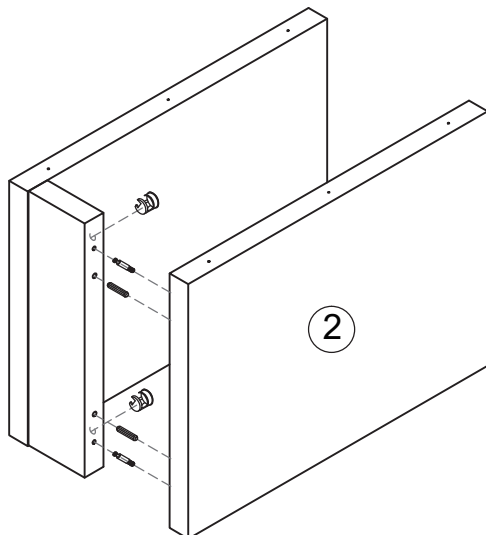
 Arrowhead


# STEP 2


 ⑥ x4

 ⑦ x4

 ⑧ x4

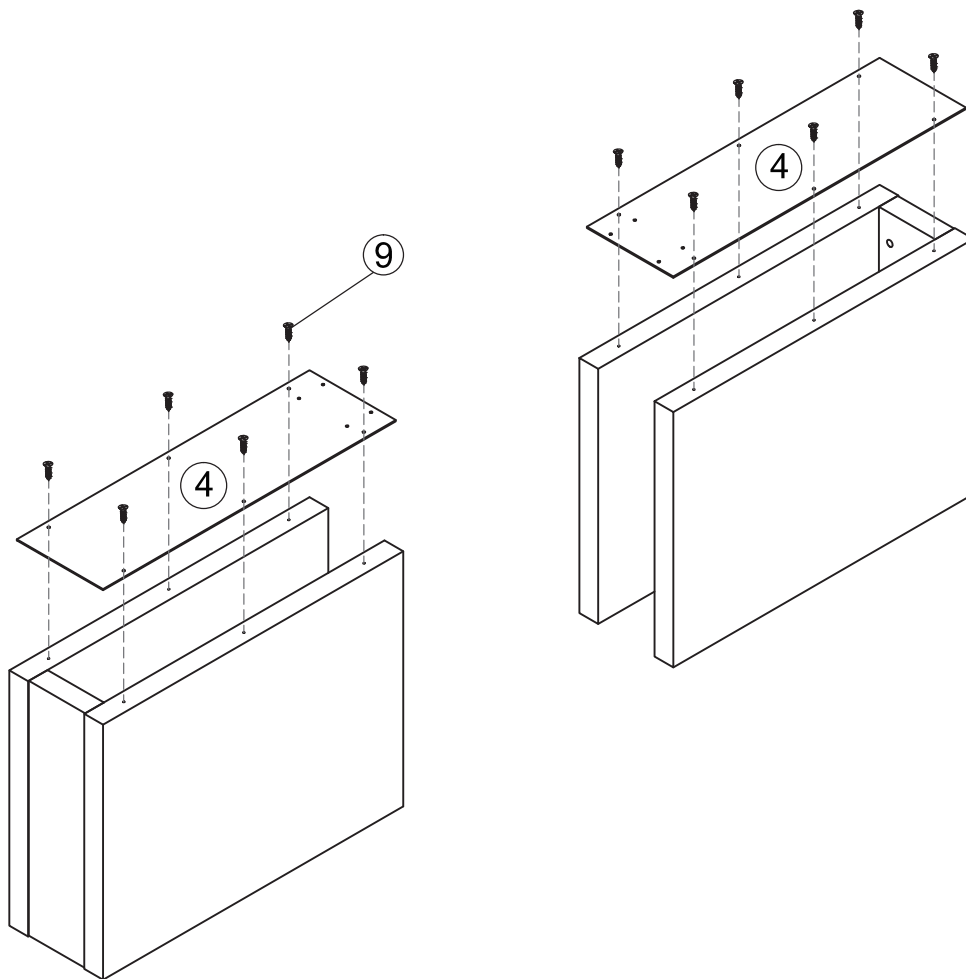


 **HINT** **Cam fitting detail**  
When inserting cam, ensure arrowhead on cam points toward to the hole on the panel edge.

 Arrowhead

# STEP 3

🔩 ⑨ x12

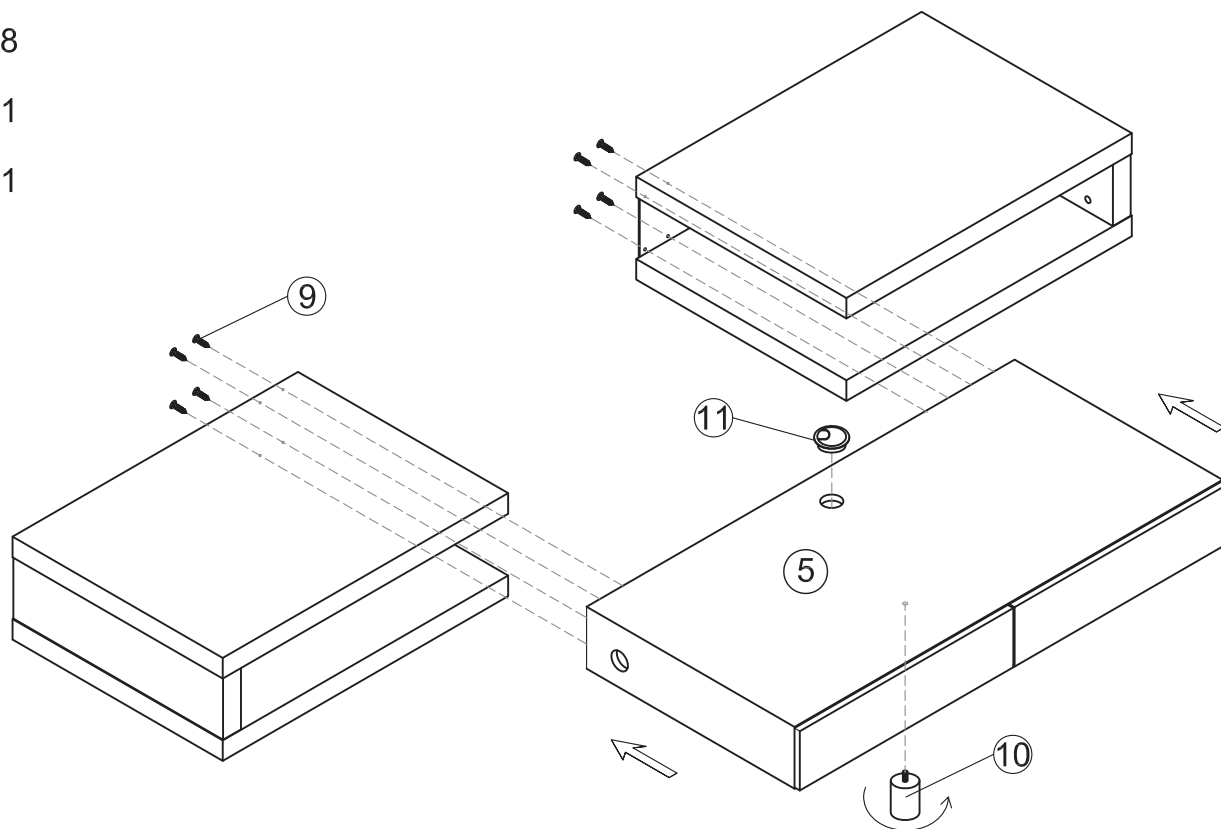


# STEP 4

🔩 ⑨ x8

🔩 ⑩ x1

🌀 ⑪ x1



# STEP 5

