

**Series 4, Built-in oven, 60 x 60 cm,
Stainless steel
HBA574BS0A**



Included accessories

1 x grill tray
2 x combination grid
1 x universal pan

Optional accessories

HEZ327000 : Pizza stone
HEZ530000 : Half tray
HEZ531010 : Baking tray, non-stick ceramic coated
HEZ538000 : 1fold telescopic rail, level independent
HEZ538200 : 2 level telescopic shelf rails
HEZ625071 : Grill tray, anthracite enamelled
HEZ633001 : Lid for professional pan, enamelled anth
HEZ634000 : Baking and roasting grid (standard)

**The built-in oven with AutoPilot:
automatically prepares perfect dishes.**

- **AutoPilot 10:** every dish is a perfect success thanks to 10 pre-set automatic programs.
- **Red LED display control:** easy-to-use thanks to the time functions.
- **Pop-out controls:** Make the front of the oven easy to clean and give it a sleek look.
- **Pyrolytic self-cleaning:** Automatically cleans the oven, just wipe out the ash.
- **Cleaning Assistance:** less cleaning effort thanks to the new cleaning option, which can be especially used for cleaning of light soiling.

Technical Data

Color / Material Front : Stainless steel
Built-in / Free-standing : Built-in
Door opening : Drop down
Cleaning : Pyrolytic+Hydrolytic
Control Panel Material : Stainless steel
Door Material : Glass
Dimensions (HxWxD) : 595 x 594 x 548 mm
Dimensions of the packed product (HxWxD) : 670 x 690 x 660 mm
Required niche size for installation (HxWxD) : 585-595 x 560-568 x 550 mm
Usable volume of cavity : 71 l
Number of interior lights : 1
Net weight : 37.3 kg
Gross weight : 39.5 kg
EAN code : 4242005033959
Connection Rating : 3600 W
Fuse protection : 16 A
Voltage : 220-240 V
Frequency : 50; 60 Hz
Length electrical supply cord : 120 cm



4 242005 033959

Series 4, Built-in oven, 60 x 60 cm, Stainless steel

HBA574BS0A

**The built-in oven with AutoPilot:
automatically prepares perfect dishes.**

- HBA574BS0A
- Built-in oven, Stainless steel

Heating Functions

- Oven with 7 heating methods:
3D Hotair
Top/bottom heating Hot air grilling Full width grill Pizza
setting Bottom heating Hotair gentle
- Temperature range 50 °C - 275 °C

Cleaning

- Pyrolytic self-cleaning function

Design

- Cavity volume: 71 net usable litres
- Enamelled cavity (grey) with 5 shelf positions
- Bar handle
- Rotary control knobs, Retractable control knobs
- Full glass inner door
- LED-display control (red)
- Display panel

Convenience

- Electronic clock/timer with end time programming
- Electronic functions: Actual temperature display, Automatic start, AutoPilot
- 10 automatic programs
- Cooling fan
- Halogen lighting

Safety and Environment

- Quadruple glazed CoolTouch door
- Maximum window temperature 30 °C
- Electronic door lock, Child lock function, Automatic safety switch off function

Hook-in racks / rails

- Available as an additional accessory

Accessories

- 2 x combination grid, 1 x universal pan, 1 x grill tray

Dimensions

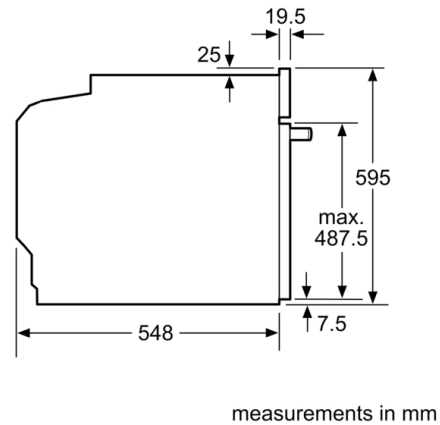
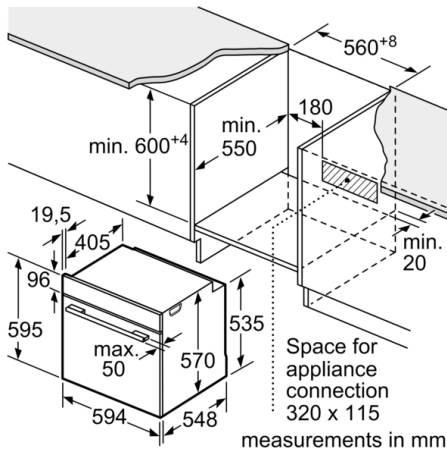
- Appliance dimensions (HxWxD): 595 mm x 594 mm x 548 mm
- Installation dimensions (HxWxD): 585 mm - 595 mm x 560 mm - 568 mm x 550 mm

Technical Info

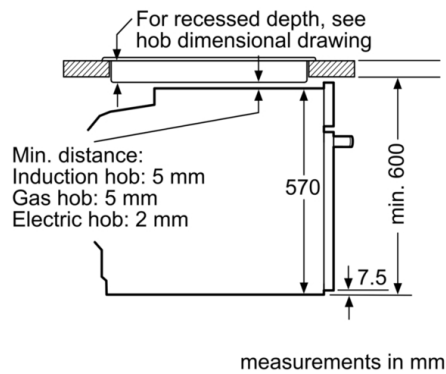
- Total connected load electric: 3.6 KW
- Length of mains cable: 120 cm
- Nominal voltage: 220 - 240 V
- Fast heat

2 year warranty

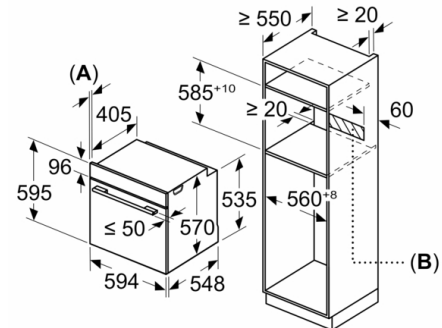
Series 4, Built-in oven, 60 x 60 cm, Stainless steel
HBA574BS0A



Installation with a hob.



Measurements in mm



A: 19.5 mm
B: Space for appliance connection 320 x 115 mm