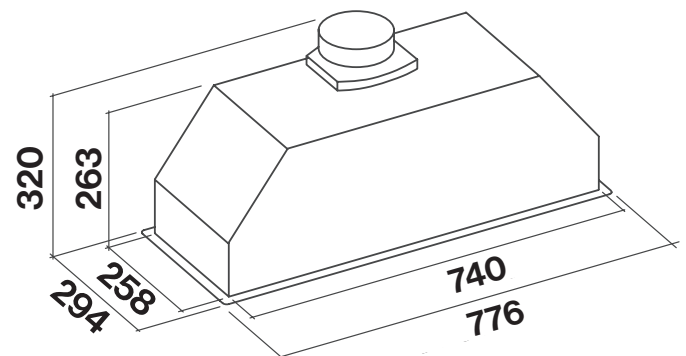




Product Features

Motor Type	On Board Motor
Dimensions	776(W) x 320(H) x 294(D)mm Suits 75cm-100cm Cooking Surfaces
Filtration Type	Perimeter Suction
Controls	Soft Touch Control
Lighting	2 x Dynamic LED
Speed Settings	3 Speed + Boost
Timer Function	15 Min Auto Shut-Off
Ducting	150mm Circular Outlet
Remote Control	Optional
Grease Filter Alarm	Yes
Dishwasher Safe Filters	Yes
Charcoal Filter	Yes

Dimensioned Drawings



Model Code	Size	Motor Output	Finish
F3GI80S1	80cm	800 m ³ /hr	Stainless Steel