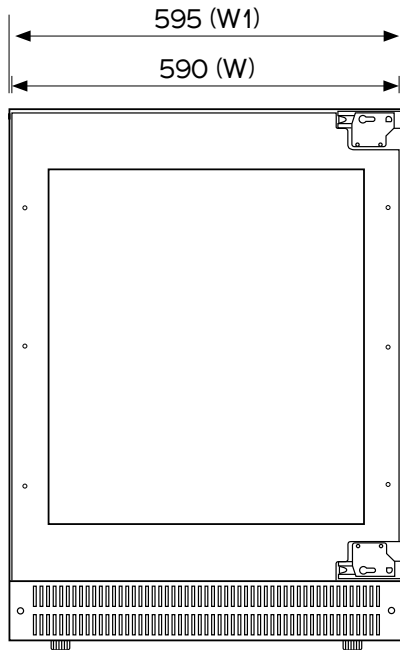
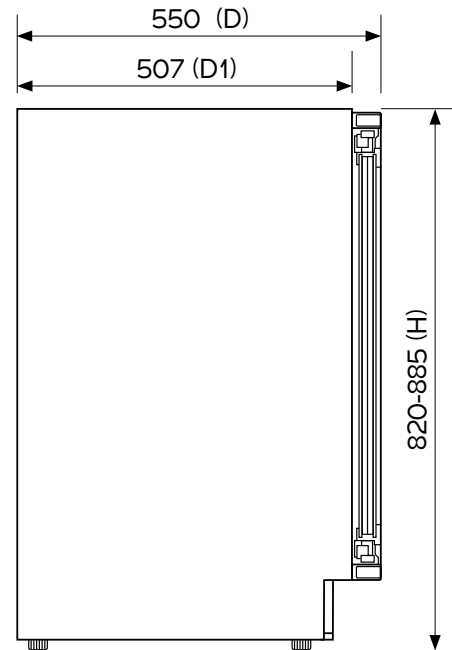


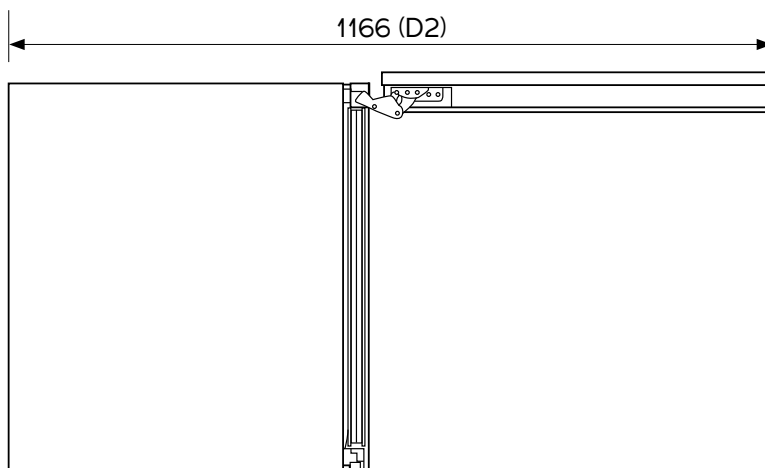
Underbench Panel-Ready Wine Cabinet VWD820SAP



FRONT VIEW



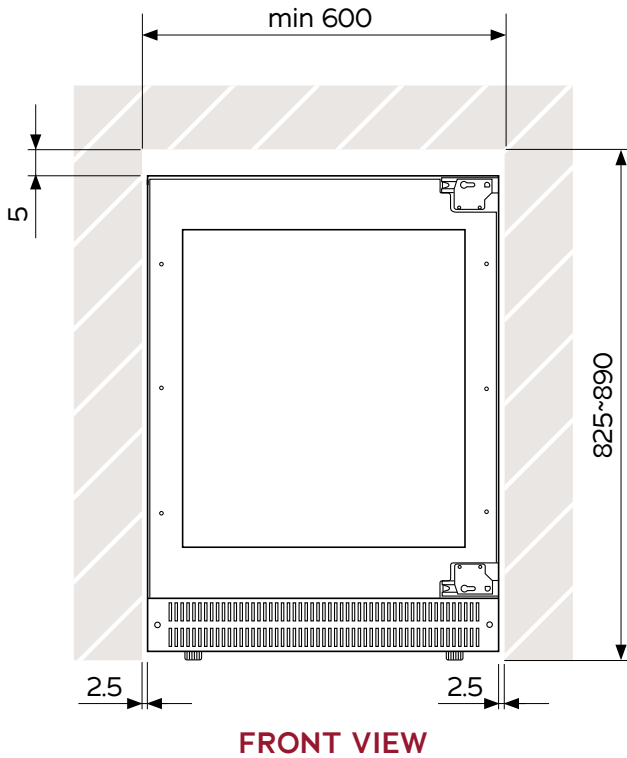
PROFILE VIEW



PLAN VIEW

Illustrations are not to scale.
All dimensions are in millimetres.

Door width (W)	Total depth (D)	Max height (H)	Cabinet width (W1)	Cabinet height (H1)	Cabinet depth (D1)	Depth door open (D2)
590	550	820-885	595	820-885	507	1166



Please note that external door panels and handles are not included with the purchase of the Vintec Panel-Ready Wine cabinet.

Side clearance must be 2.5mm either side of the wine cabinet, to have the door sitting proud of the kitchen cabinet. Top clearance must be 5mm

Minimum cabinetry opening (WxDxH)

- Door sitting proud installation : 600mm x580mm x 825-890mm
- Door flush installation: 600mm x600mm (including wooden panel) x 825-890mm

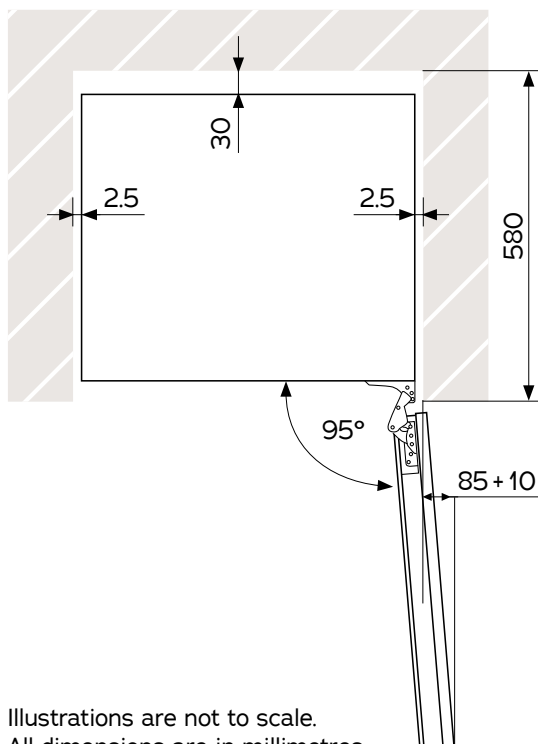
Note: After the custom panel is embedded in the kitchen cabinetry, the door is opening to a maximum angle of 95 degrees.

When positioned in a corner area, spacing of at 85mm+10mm on the hinge side will allow the doors to open enough to enable the removal of shelves.

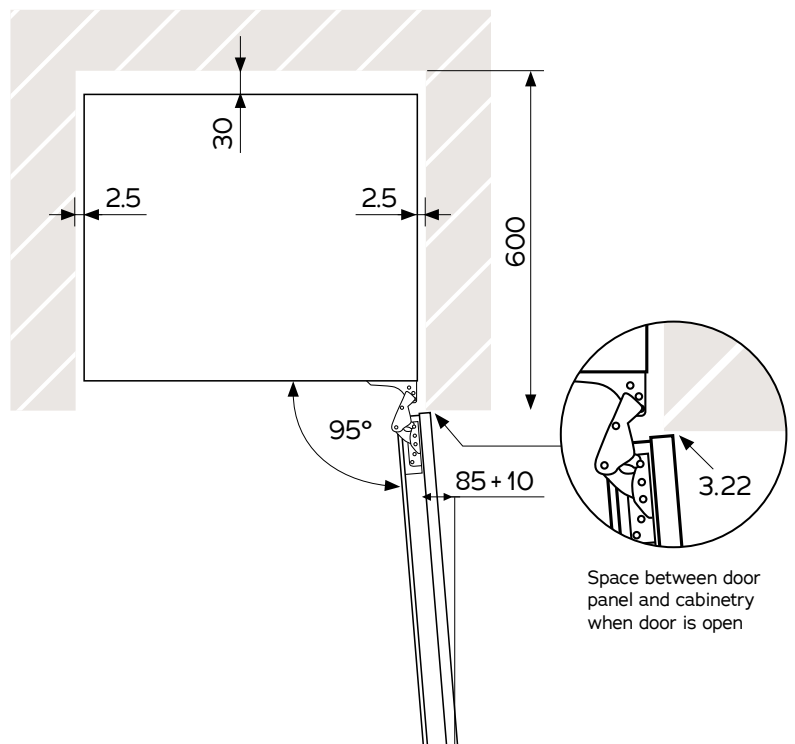
For complete installation instructions, please refer to the user manual.

Installation options for optimal aesthetics (view from the top)

DOOR SITTING PROUD



DOOR FLUSH



Illustrations are not to scale.
All dimensions are in millimetres.

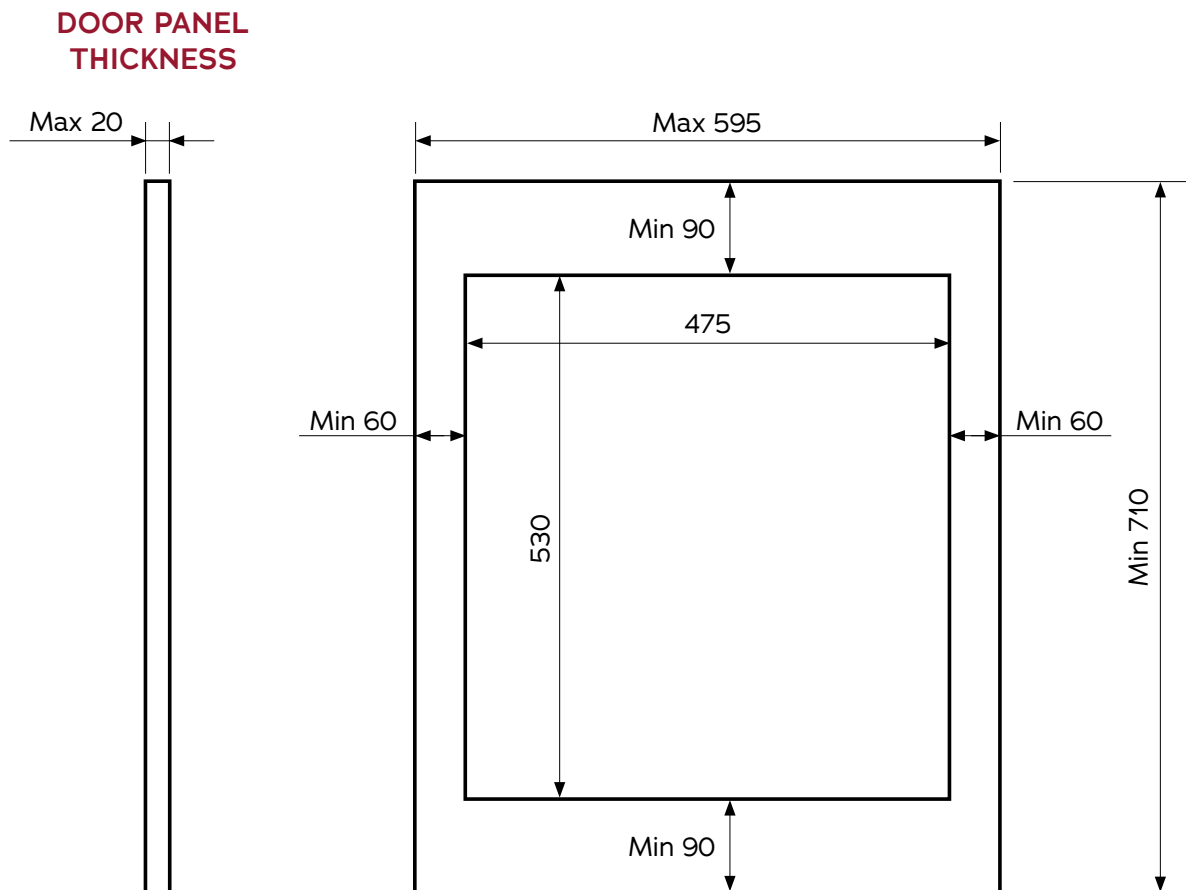
Custom Panel Dimensions

Panels and handles are not included with the purchase of the **VWD820SAP**.

The height of the furniture door will need to be adjusted to ensure it lines up with the other kitchen cabinet doors, therefore these dimensions will vary.

The minimum overall height of the furniture door must be at least 710mm.

For complete installation instructions, please refer to the user manual.



Illustrations are not to scale.
All dimensions are in millimetres.