

**Series 4, Built-in oven, 60 x 60 cm,
Stainless steel
HBA534BS3A**



HEZ317000 Pizza pan, enamelled, HEZ327000 Pizza stone, HEZ333001 Lid for professional pan, HEZ530000 Half tray, HEZ531000 Baking tray, enamelled, HEZ531010 Baking tray, non-stick ceramic coated, HEZ532000 Multipurpose pan, enamelled, HEZ532010 Universal pan, non-stick ceramic coated, HEZ533000 Professional pan, enamelled, HEZ538000 1fold telescopic rail, level independent, HEZ625071 Grill tray, anthracite, HEZ633001 Lid for professional pan, enamelled, HEZ633070 Professional pan with grid, enamelled, HEZ634000 Baking and roasting grid, HEZ636000 Glass pan, HEZ638000 Full ext rails, level independent, HEZ660050 Cover Strip, HEZ915003 Glass roasting dish, 5,4 L

Perfect results: 3D hotair for perfect baking and roasting results on up to three levels simultaneously.

- **Red LED display control:** easy-to-use thanks to the time functions.
- **3D Hotair:** even heat distribution for perfect results on up to three levels.
- **Energy Efficiency Class A+:** thanks to improvement of the oven construction you can save energy while cooking.
- **Pop-out controls:** Make the front of the oven easy to clean and provide a sleek and stylish front.
- **EcoClean Direct:** A special coating of the rear wall that automatically absorbs cooking residue.

Color / Material Front: Stainless steel
 Built-in / Free-standing: Built-in
 Door opening: Drop down
 Integrated Cleaning system: EcoClean program, Hydrolytic
 Control Panel Material: Stainless steel
 Door Material: Glass
 Dimensions: 595x594x548 mm
 Dimensions of the packed product (HxWxD): 675 x 660 x 690 mm
 Required niche size for installation (HxWxD): 585-595 x 560-568 x 550 mm
 Cavity dimensions: 357 x 480 x 415 mm
 Usable volume of cavity: 71 l
 Number of interior lights: 1
 Net weight: 32.4 kg
 Gross weight: 34.5 kg
 EAN code: 4242005464487
 Connection rating: 3400 W
 Fuse protection: 16 A
 Voltage: 220-240 V
 Frequency: 50; 60 Hz
 Length electrical supply cord: 120.0 cm



Series 4, Built-in oven, 60 x 60 cm, Stainless steel HBA534BS3A

**Perfect results: 3D hotair for perfect
baking and roasting results on up to three
levels simultaneously.**

Heating Functions

- Oven with 7 PHeating methods:
- Full width grill
- Hotair gentle 3D Hotair Top/Bottom heating Pizza setting Bottom heating Hot-air grilling
- Temperature range 50 °C - 275 °C
- Cavity volume: 71 l

Design

- Rotary Control Dials, Round, Retractable controls dials
- Anthracite enamel cavity with 5 shelf positions
- Extra large capacity oven

Racks and Rails

- Number of shelf levels: 5
- Telescopic rails: telescopic rails available as optional accessory

Cleaning

- Eco Clean: A microfine ceramic beaded coating on the oven's interior Rear wall
- Easy Clean cleaning program
- New design full glass inner door, easy to clean with simple access to the door glass

Convenience

- LED-display control (red)
- Electronic clock/timer with end time programming
- Temperature control indicator
- Automatic start function
- Stainless steel bar handle
- Rapid heating up
- Halogen lighting
- Cooling fan

Accessories

- combination grid, universal pan

Safety Features

- Triple glass door panel glazed, Low door temperature when in use.
- Child lock

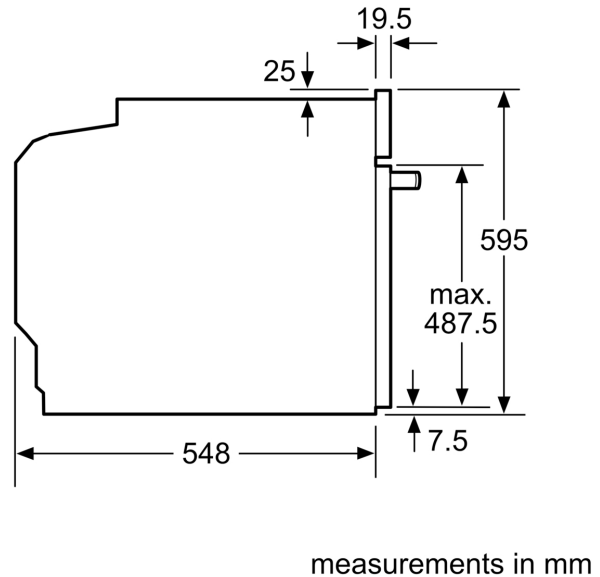
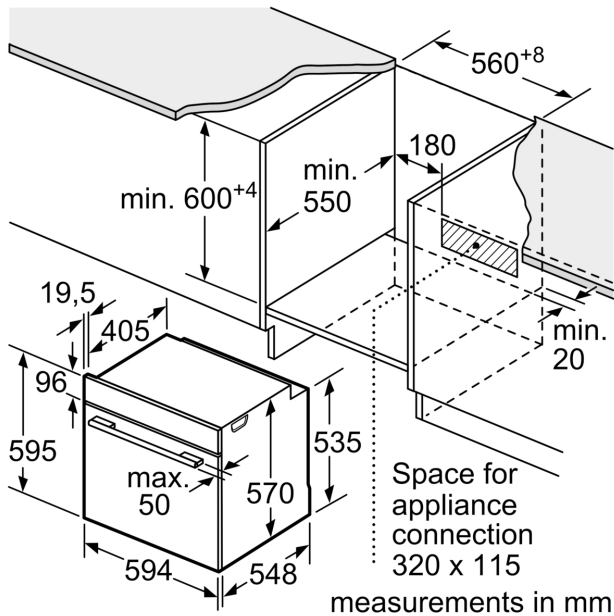
Technical Information

- Length of mains cable: 120 cm
- Nominal voltage: 220 - 240 V
- Total connected load electric: 3.4 KW

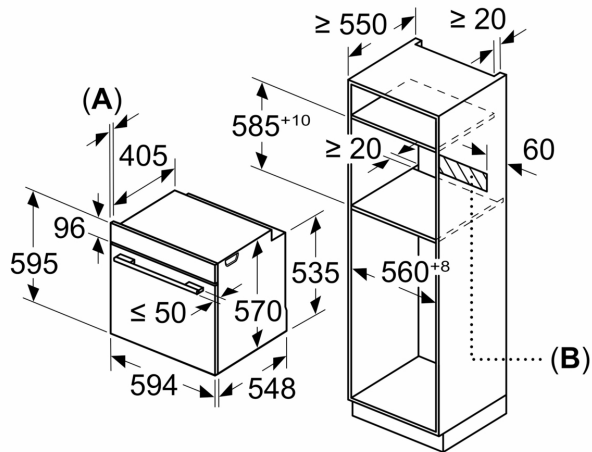
Dimensions:

- Appliance dimension (HxWxD): 595 mm x 594 mm x 548 mm
- Installation dimensions (HxWxD): 585 mm - 595 mm x 560 mm - 568 mm x 550 mm
- Please reference the built-in dimensions provided in the installation drawing

**Series 4, Built-in oven, 60 x 60 cm,
Stainless steel
HBA534BS3A**



Measurements in mm



A: 19.5 mm
B: Space for appliance connection 320 x 115 mm

Installation with a hob.

