



Font Kit Stand Alone Brushed Gunmetal

Font Kit Stand Alone Assembly Brushed Gunmetal - fits Arc Plus and Cube Plus

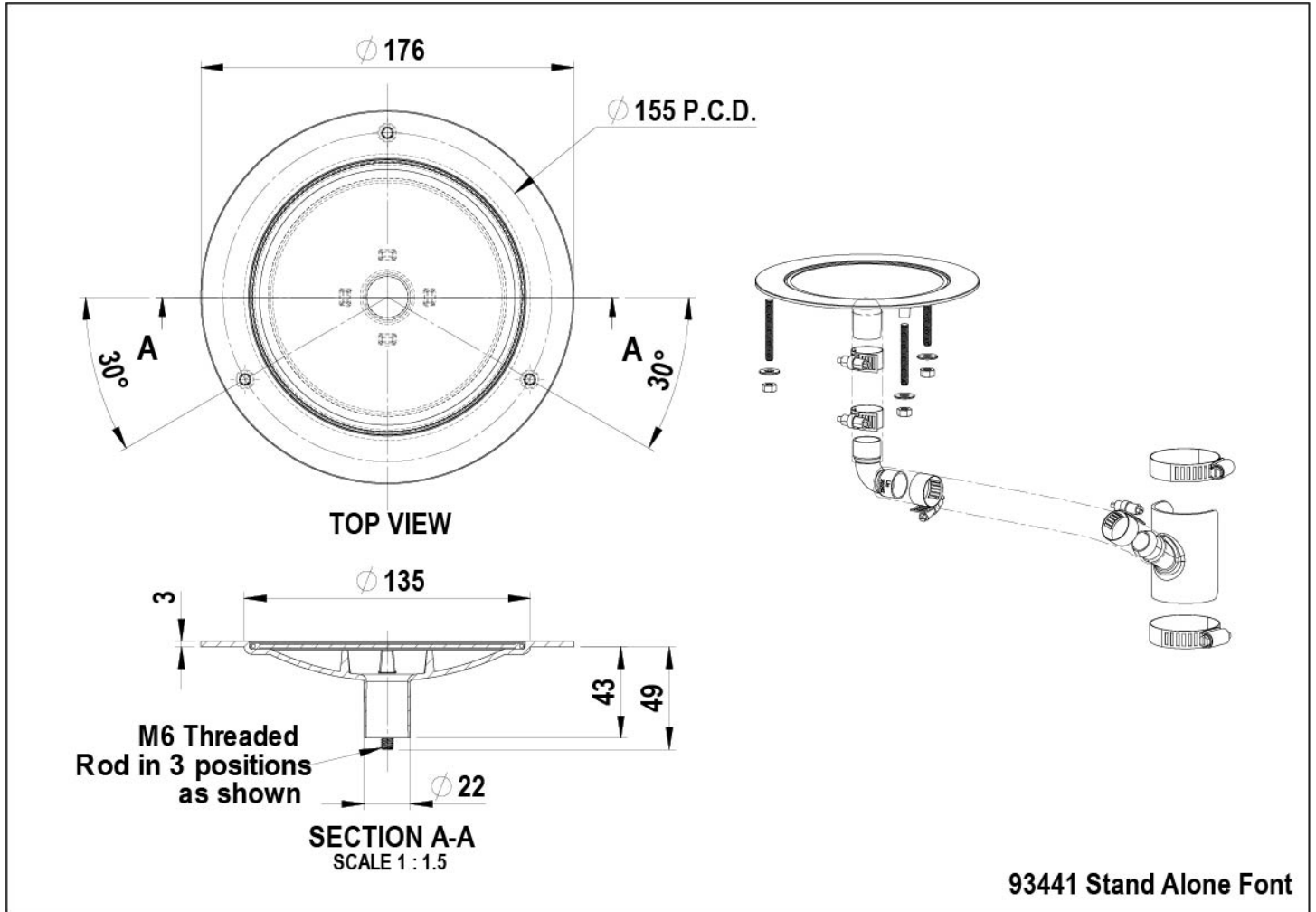
Product code: 93441Z19

Capacity: Commercial & Residential

Installation

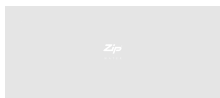
Files

Installation Layout 3D (DWG)



Installation layout (PDF)

BIM files



ArchiCAD Zip Water Library (LCF)



Revit project file



Revit virtual showroom

Download all



↓ Quick guide (PDF)