

60cm built under dishwasher, dark stainless, with 15 place settings, interior light, 10 wash programs including Auto program, AutoDoor, Zone Wash and Target wash options, adjustable upper basket when loaded and 45dB operation.

RRP AUS \$1,599.00



Product Details

FEATURES

15 place settings A huge 15-place setting capacity	AutoDoor	Auto mode	Flex adjust upper basket
Fast wash options	Delay Start - 1 - 24 Hours	AquaStop	Wash progress indicator
Steam Wash	72C Hygiene Program	Zone wash	Comfort Tray
Target Wash	Self Clean function	Full touch electronic control panel	Interior light
GentleHold			

BENEFITS

Dry dishes every time
Say goodbye to wet dishes and hello to dry, sparkling results with AutoDoor. At the end of the wash cycle, the door, automatically opens to allow air to circulate throughout the interior. This accelerates the drying process, effectively eliminating moisture. No more towel-drying or waiting for dishes to air dry on the rack, with AutoDoor, your dishes are ready to be put away. AutoDoor not available for Fast 30 or Self Clean programs.

Sparkling results with minimal effort
Give your bottles and glasses a perfect clean with our Target Wash program. Featuring five powerful jets aimed at dedicated zones, it ensures even hard-to-reach spots inside bottles and tall glasses are cleaned thoroughly. No need for hand-washing or extra scrubbing. Its ideal for baby bottles, drink bottles, or your favourite glassware. Plus, you can easily switch the feature on or off by rotating the handle.

Adjustable convenience

Say goodbye to awkward stacking and hello to effortless organisation with our innovative Comfort Tray. With a simple slide, you can adjust the top cutlery tray, allowing you to effortlessly stack tall glasses and bulky items, ensuring every item gets the perfect clean.

Smarter washing

Flexible wash options tailored to your needs. Choose from three half-load settings for the best performance: Upper: Ideal for glasses and mugs in the top basket. Lower: Perfect for plates and bowls in the bottom basket. Upper and Lower: A smart half-load option where spray arms alternate for an efficient, thorough clean.

Adjusting the right cycle for you

Sensing the level of grime on your dishes, our smart sensor adjusts the temperature and wash cycle to ensure the best results possible.

Make room for larger items

Its now easier than ever to wash those bulky items in your dishwasher! Simply lift the basket up to raise the height to ensure the pots fit in underneath, or pull the handles on the side to drop the basket lower, so those wine glasses fit.

Fast wash, when you need it

Whether youre hosting a party or forgot to put the dishwasher on, our fast 30 and fast 58 minute programs ensure you can be ready in no time.

Gentle protection for glassware

Our dishwasher's GentleHold delicately cradle wine and champagne glasses, ensuring they stay securely in place during the wash cycle. Say goodbye to the fear of breakage and hello to peace of mind, as your cherished glassware receives the gentle care it deserves.

Interior light

The interior light offers better visibility when loading and unloading your dishwasher

Specifications

PRODUCT PROFILE

Domestic warranty details (yrs)	2
---------------------------------	---

Type of Dishwashers	built under
---------------------	-------------

Place settings	15
----------------	----

Drying system	turbo dry
---------------	-----------

Number of spray arms	3
----------------------	---

Top shower	Yes
------------	-----

DIMENSIONS

Total height (mm)	815
-------------------	-----

Total width (mm)	598
------------------	-----

SPECIFICATION

Water Efficiency Star Rating	5.5
------------------------------	-----

WELS Registration Number	D03033
--------------------------	--------

Water consumption (litres)	11.1
----------------------------	------

Energy Efficiency Star Rating	4
-------------------------------	---

Energy consumption cold water (kWhr/yr)	246
---	-----

Noise level dBA	45
-----------------	----

Water supply	cold or hot (maximum 60°C)
--------------	----------------------------

Basket colour	grey
---------------	------

Service cord length	150
---------------------	-----

WASH PROGRAMS

Number of Programs	10
--------------------	----

DIMENSIONS

Total depth (mm)	570
Height adjustment (mm)	20

CONTROL PANEL

Control panel type	Touch Control electronic
Top mounted control panel	No
Control panel finish	black
Knob or button finish	black
Display indicators	rinse aid,on/off ,wash program,half load ,delay start,start ,ExtraDry,Self Clean

EXTERIOR

Door finish	black
Side colour	black
Plinth colour (kickboard)	black

WASH PROGRAMS

Programs	Auto,Eco,Fast 30",Fast 58",Gentle,Intensive,Quiet,Hygiene 72°C,Self Clean,90 min
Wash option	Extra dry,Power Wash,Zone Wash,Delay start (1-24 hours),Steam Wash,Turbo Speed

FEATURES

Other Features	delay start,Soil Level Sensor,child lock on control panel,AutoDoor,Self Clean,interior light,Target Wash
Water safety system	overflow protection,aqua control
Filter system	3 stage
Dispenser	detergent,rinse aid
Number of spray levels	2

UPPER BASKET

Upper basket features	height adjustable on full load,soft spikes for tall glass
Foldable cup shelves	4

LOWER BASKET

Foldable Racks	8
----------------	---

HOSES

Inlet hose length	180
-------------------	-----

Drain hose length	167
-------------------	-----

Inlet hose length (metres)	1.80
----------------------------	------

Drain hose length (metres)	1.67
----------------------------	------

STUFFING QUANTITIES

20ft	54
------	----

40ft	108
------	-----

40ft HC	159
---------	-----

UPPER BASKET

Foldable Racks	6
----------------	---

THIRD TRAY

Tray features	Sliding
---------------	---------

SHIPPING

Shipping Weight (Kg)	42
----------------------	----

Pack Dimensions Height (mm)	885
-----------------------------	-----

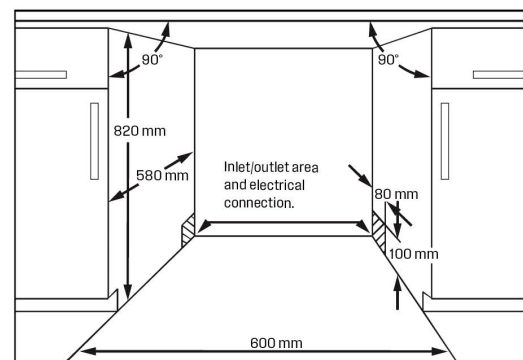
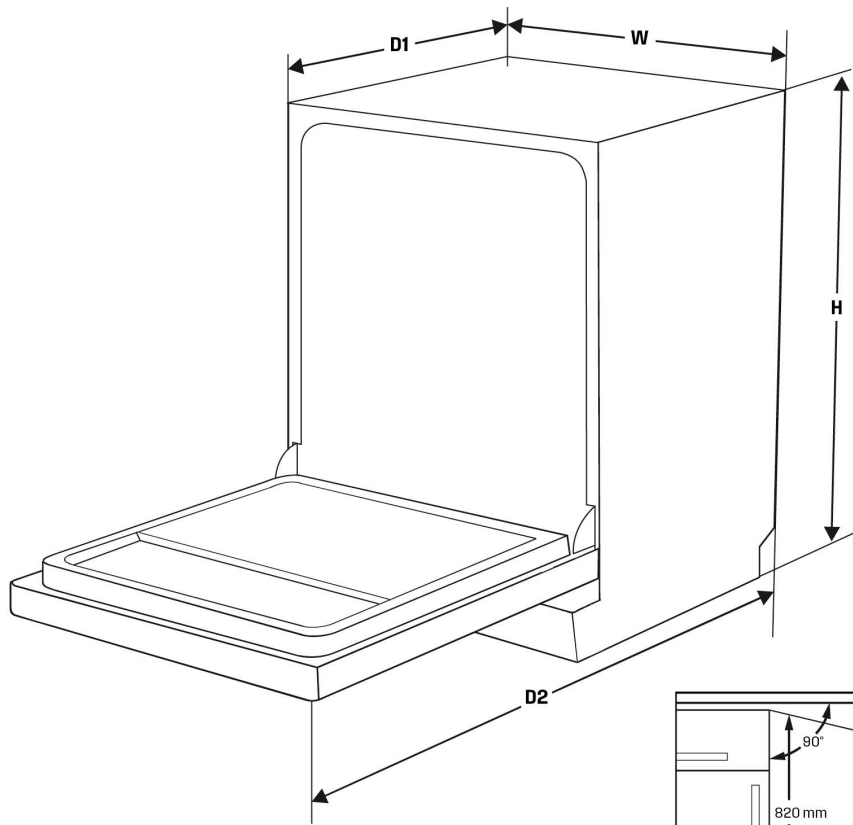
Pack Dimension Width (mm)	645
---------------------------	-----

Pack Dimension Depth (mm)	645
---------------------------	-----

Dimensions

Built Under Dishwasher

WSU6608XC / WSU6608KXC



	Width	Height	Depth 1	Depth 2
Cut out (mm)	600	820	580	-
Product (mm)	598	815	570	1150

IMPORTANT

These dimensions are a guide only. All measurements are in millimetres (mm). For complete installation instructions, refer to the manual provided with product.

© 2025 Electrolux Home Products Pty Ltd. ABN 51 004 762 341. WHS_JM_Diag_WSU6608XC_WSU6608KXC_Aug25

Terms and Conditions

IMPORTANT

This is a guide of product dimensions only. For complete installation instructions, refer to the manual provided with product.

PRODUCT INFORMATION

The descriptors and illustrations in this publication apply to the specific products and models described as at the date of issue. Under our policy of continuous product development, product specifications may change without notice. Prospective purchasers should therefore check with their retailer to ensure this publication correctly describes the products that are being offered for sale. All information supplied is to be used for general reference purposes only and is on the understanding that Electrolux Home Products Pty Ltd (Australia) and Electrolux (NZ) Ltd (New Zealand) will not be liable for any loss, liability or damage of whatever kind arising as a result of reliance on such information. Colours of products illustrated are as close as printing limitations allow. Electrolux will at all times comply with its obligations pursuant to law including Trade Practices (Australian Consumer Law) Act and Regulations.

WARRANTY

This warranty only applies to Appliances purchased and used in Australia or New Zealand and used in normal domestic applications and is in addition to (and does not exclude, restrict, or modify in any way) any non-excludable statutory warranties in Australia or New Zealand. All warranties are subject to the conditions set out in the warranty card accompanying the product when purchased.

ELECTROLUX HOME PRODUCTS AUSTRALIA

telephone: 1300 363 640

fax: 1800 350 067

email: customercare@electrolux.com.au

web: www.electrolux.com.au

ELECTROLUX HOME PRODUCTS NEW ZEALAND

telephone: 09 573 2230

fax: 09 573 2221

email: customercare@electrolux.co.nz

web: www.electrolux.co.nz