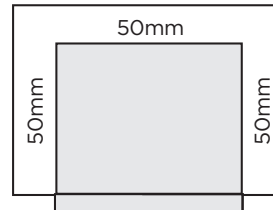
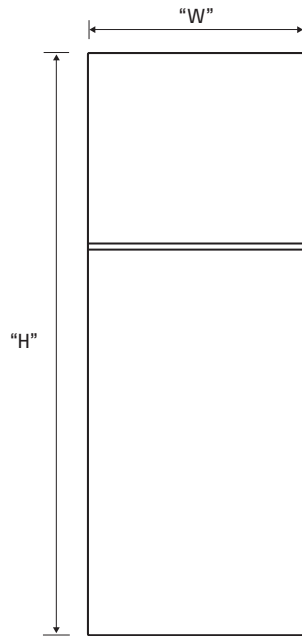


## Small Top Mount Fridges

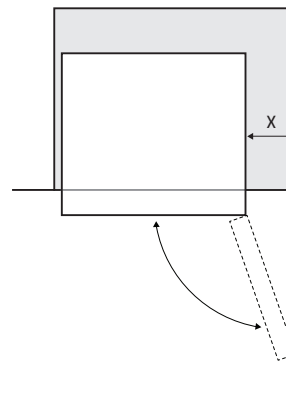
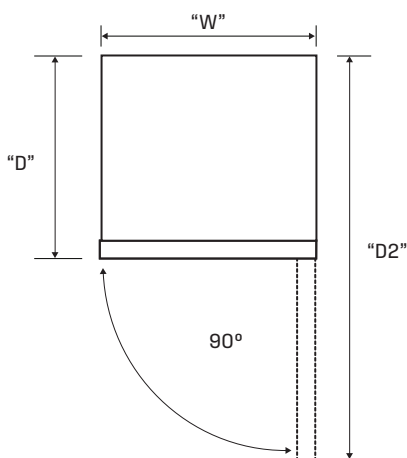
WTM2500WA/AA



**Please note:** Doors are designed to sit proud of cabinetry (not flush).

Model	X
WTM2500WA/AA	370mm

When positioned in a corner area, spacing a minimum of Xmm (distance depends of the model as per the table above) on the hinge side will allow the doors to open enough to enable the removal of shelves.



Dimensions	Product Height (H)	Product Width (W)	Product Depth (D)	Product Depth (D2) (Door Open)
WTM2500WA	1667	540	555	1053
WTM2500AA	1667	540	555	1053

Airspace	Side - both	Top	Behind
WTM2500WA	50	50	50
WTM2500AA	50	50	50

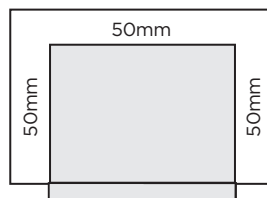
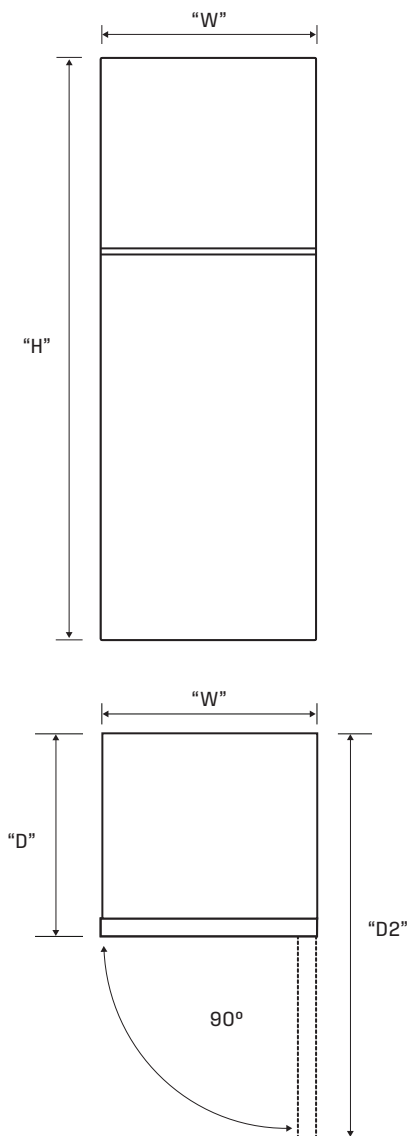
### IMPORTANT

These dimensions are a guide only. All measurements are in millimetres (mm). For complete installation instructions, refer to the manual provided with product.

© 2025 Electrolux Home Products Pty Ltd. WHS\_DIM\_SmallTM\_WTM2500WA\_AA\_May25  
 ® and Westinghouse are trademarks of Westinghouse Electric Corporation.  
 All Rights Reserved.

# Small Top Mount Fridges

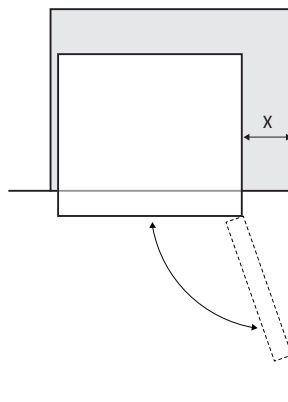
WTM2500WA/AA



**Please note:** Doors are designed to sit proud of cabinetry (not flush).

Model	X
WTM2500WA/AA	370mm

When positioned in a corner area, spacing a minimum of Xmm (distance depends of the model as per the table above) on the hinge side will allow the doors to open enough to enable the removal of shelves.



Dimensions	Product Height (H)	Product Width (W)	Product Depth (D)	Product Depth (D2) (Door Open)
WTM2500WA	1667	540	555	1053
WTM2500AA	1667	540	555	1053

## IMPORTANT

These dimensions are a guide only. All measurements are in millimetres (mm). For complete installation instructions, refer to the manual provided with product.

© 2025 Electrolux Home Products Pty Ltd. WHS\_DIM\_SmallTM\_WTM2500WA\_AA\_May25  
 and Westinghouse are trademarks of Westinghouse Electric Corporation.  
 All Rights Reserved.

Airspace	Side - both	Top	Behind
WTM2500WA	50	50	50
WTM2500AA	50	50	50