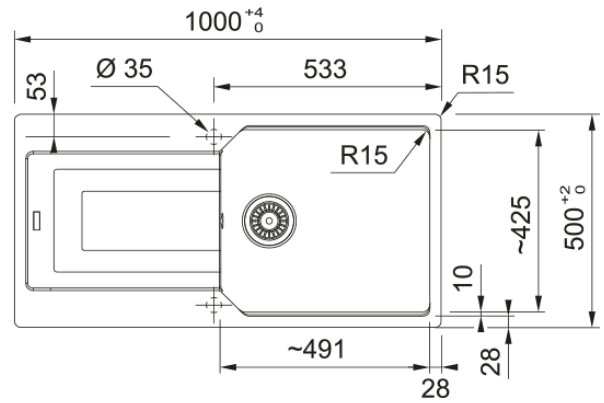


URBAN Sgle Bowl w Drainer UBG611-100ON | 114.0644.776



Aspect

Sink type	Sink (w/ drainer)
Material type	Granite
Number of bowls	1
Colour	Onyx
Finish	None

Dimensions

Overall length	1000.0
Overall depth	500.0
Length	490.0
Depth	425.0
Height	220.0
Cutout inset: right to left	964.0
Cutout inset: front to back	464.0

Installation

Cabinet size	60 cm
--------------	-------

Product features

Installation type	Topmount
Waste outlet	3 1/2"
Position of drainer	Reversible drainer

Product identification

Brand	FRANKE
Product family	Maris
Range	Urban

Properties

Drainer	1
Reversible	Yes
Tap ledge	No
Waste kit	Yes
Waste kit type	Manual

Plumbing kit	No
Tap holes	2 - pre drilled
Soap dispenser hole	No

Technical Data