

**Series 2, integrated rangehood, 53
cm, Grey
DLN54AA70A**



Optional accessories

DWZ0IN0T0 : Standard recirculation kit

**The integrated rangehood: offers a sleek
and seamless design in the kitchen with
fully integrated installation.**

- **LED lighting:** for perfect, energy-efficient illumination of the cooktop.
- With exhaust, the air is cleaned by a grease filter and then ducted to the outside which ensures optimal kitchen air quality.
- Dishwasher-safe metal grease filters for easy cleaning.
- 3-Speed Power Level Options To Suit Your Cooking Style And Recipes

Technical Data

Typology : Built-in/Built-under

Length electrical supply cord : 150 cm

Min. required niche size for installation (HxWxD) : 208mm x 493.0mm x 257mm mm

Minimum distance above an electric cooktop : 550 mm

Minimum distance above a gas cooktop : 600 mm

Net weight : 4.6 kg

Type of control : mechanical

Number of power settings : 3

Maximum output air extraction : 420 m³/h

Maximum output recirculating air : 410 m³/h

Number of lights : 2

Noise level : 67 dB(A) re 1 pW

Diameter of air outlet : 120 mm

Grease filter material : Washable aluminium

EAN code : 4242005127139

Connection Rating : 121 W

Fuse protection : KSA A

Voltage : 220-240 V

Frequency : 50 Hz

Plug type : AU plug

Installation type : Built-in



4 242005 127139

Series 2, integrated rangehood, 53 cm, Grey DLN54AA70A

The integrated rangehood: offers a sleek and seamless design in the kitchen with fully integrated installation.

Design & Innovation

- Sliding switch control for power and light
- Accessory required for recirculation mode: Standard recirculation kit

Power and Mode of Operation

- 3 power settings
- Maximum extraction 420 m³/h
- Extraction rate in recirculation mode:
Max. normal use: 410 m³/h
- Ducted and recirculated-air operation
- Noise min./max. Normal Level: 55/67 dB
- Noise level in recirculation mode:
Max. normal use: 68 dB(A) re 1 pW (55 dB(A) re 20 µPa sound pressure)

Comfort & Convenience

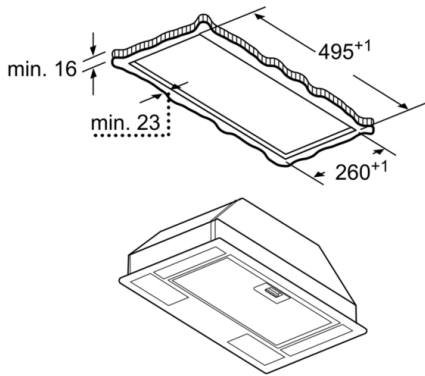
- Dishwasher safe metal grease filters
- 2 x 3W LED lights
- with one-way flap: prevents outside air from entering your kitchen

2 year warranty

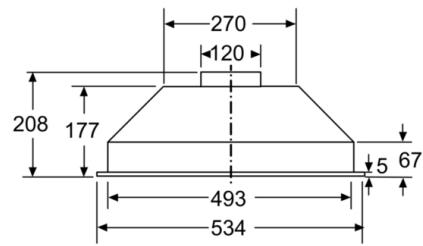
Technical Information

- Appliance width: 534 mm
- Appliance dimensions (HxWxD): 208 x 534 x 300 mm
- Built-in dimensions (HxWxD): 208 x 493 x 257 mm
- Diameter pipe Ø 120 mm (Ø 120 mm enclosed)
- Electrical cable length 1.5 m
- Power rating: 121 W

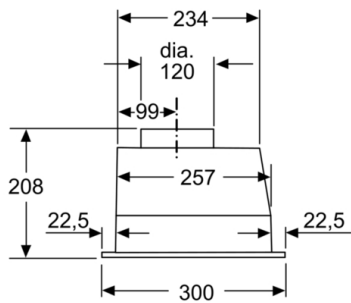
**Series 2, integrated rangehood, 53 cm, Grey
DLN54AA70A**



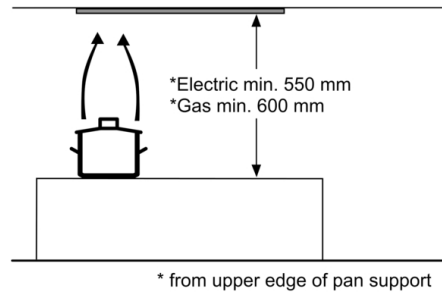
measurements in mm



measurements in mm



measurements in mm



Use with gas hob:
Total maximum output: 9.75 kW
Maximum output of wok 4 kW.
Total maximum output of rear hobs: 5.25 kW

measurements in mm